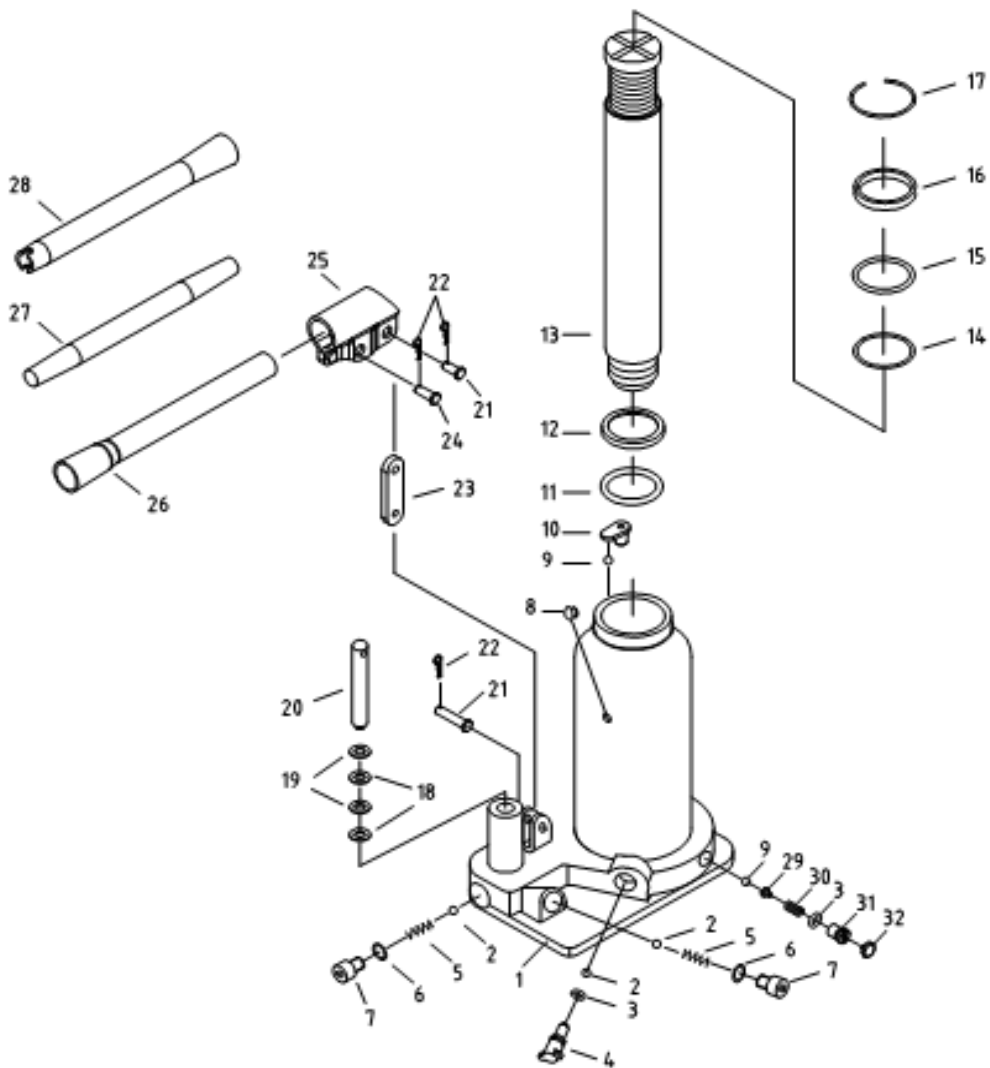




EAGLE PRO Jacks should be repaired only by a qualified operator or Authorized EAGLE PRO Service Centers. Use Only EAGLE PRO or other approved hydraulic oil. Release pressure in hydraulic system and disconnect hose(s) before making repair.

Parts List



Item No.	Part Number	Description	Quantity	Item No.	Part Number	Description	Quantity
1	EBJ08-1	Body	1	17	QYL8-1	Snap Ring	1
2	41015	Steel Ball	3	18★	QYL5-10	O-ring	2
3★	QD20-6	O-ring	2	19★	QYL5-11	Nylon Gasket	2
4	QYL8-9	Release Rod	1	20	QYL8-15	Pump Cylinder	1
5	QYL8-10	Spring	2	21	QD20-19	Pin	2
6★	QYL8-12	Copper Washer	2	22	QD20-12	Pin	3
7	QYL8-11	Screw	2	23	QYL8-16	Rod Join	1
8	QYL8-Y21	Oil Filler Plug	1	24	QD20-11	Pin	1
9	41014	Steel Ball	2	25	QD20-13	Handle Socket	1
10	QYL8-17	Washer	1	26	QYL8.2-1	Rear Handle	1
11★	QYL8-8	O-ring	1	27	QYL8.2-2	Middle Handle	1
12	QYL8-7	Sealing Washer	1	28	QYL8.2-3	Front Handle	1
13	QYL8-Y1	Ram	1	29	QYL12-11	Ball Seat	1
14	QYL8-4	Washer	1	30	QK5.3-21	Spring	1
15★	QYL8-3	O-ring	1	31	QYL12-5	Adjusting Screw	1
16	QYL8-2	Bushing	1	32	QYL5B-2	Cap	1

★ Items included in Repair Kit, Repair Kit order number: **EBJ08-RP-0**