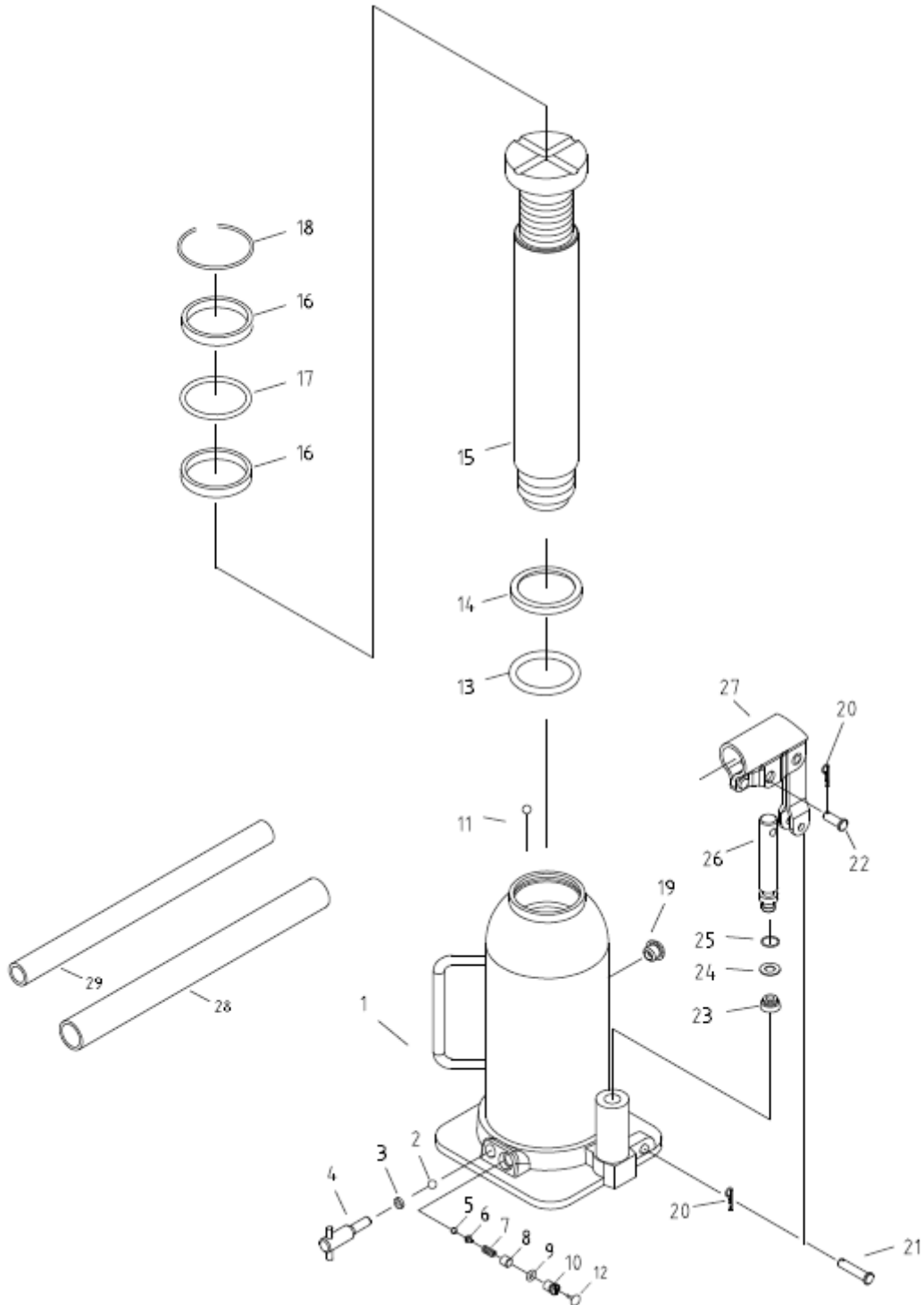




EAGLE PRO Jacks should be repaired only by a qualified operator or Authorized EAGLE PRO Service Centers. Use Only EAGLE PRO or other approved hydraulic oil. Release pressure in hydraulic system and disconnect hose(s) before making repair.

Parts List



| Item No. | Part Number | Description | Quantity | Item No. | Part Number | Description | Quantity |
|----------|--------------|---------------------|----------|----------|-------------|---------------------|----------|
| 1 | QYLJ12.1 | Base Assembly | 1 | 16 | QYLJ12-2 | Gasket (43*49.2*6) | 2 |
| 2 | 41015 | Steel Ball (6mm) | 1 | 17★ | QK2.6-19 | O-Ring (42.7*3.7) | 1 |
| 3★ | GB3452.1-82 | O-Ring (6*1.8) | 1 | 18 | QK2.6-20 | Snap Ring | 1 |
| 4 | QYL3.3W.5.1 | Release Shaft | 1 | 19★ | QYL8.21A | Oil Plug | 1 |
| 5 | 41014 | Steel Ball (4mm) | 1 | 20 | QD20-12 | Pin | 2 |
| 6 | QYL12-11 | Ball Sheet | 1 | 21 | QD20-19 | Link Pin | 1 |
| 7 | QK5.3-21 | Safety Valve Spring | 1 | 22 | QD20-11 | Pin | 1 |
| 8 | QYL3.3W-7 | Adjustment Screw | 1 | 23★ | QYL3.3W.3-3 | Y-Ring (5*11*7) | 1 |
| 9★ | QKD2.5-11 | O-Ring (7.8*1.9) | 1 | 24★ | QYL3.3W.3-2 | Gasket (8.1*11*2.5) | 1 |
| 10 | QYL10-6 | Cover Screw | 1 | 25★ | QKD2.5-11 | O-Ring (7.8*1.9) | 2 |
| 11 | GB308-89-4.5 | Steel Ball (4.5mm) | 1 | 26 | QYL3.3W.3-1 | Pump Plunger | 1 |
| 12 | QYL10-7 | Nut Cap | 1 | 27 | QYLA20.2 | Handle Socket | 1 |
| 13★ | GB3452.1-82 | O-Ring (37.5*3.55) | 1 | 28 | QYLA8-23 | Front Handle | 1 |
| 14★ | QYLJ12-7 | Washer (45*4.4) | 1 | 29 | QYLA8-24 | Rear Handle | 1 |
| 15 | QYLJ12-1 | Piston | 1 | | | | |

★ Items included in Repair Kit, Repair Kit order number: **EBJ12E-RP-0**