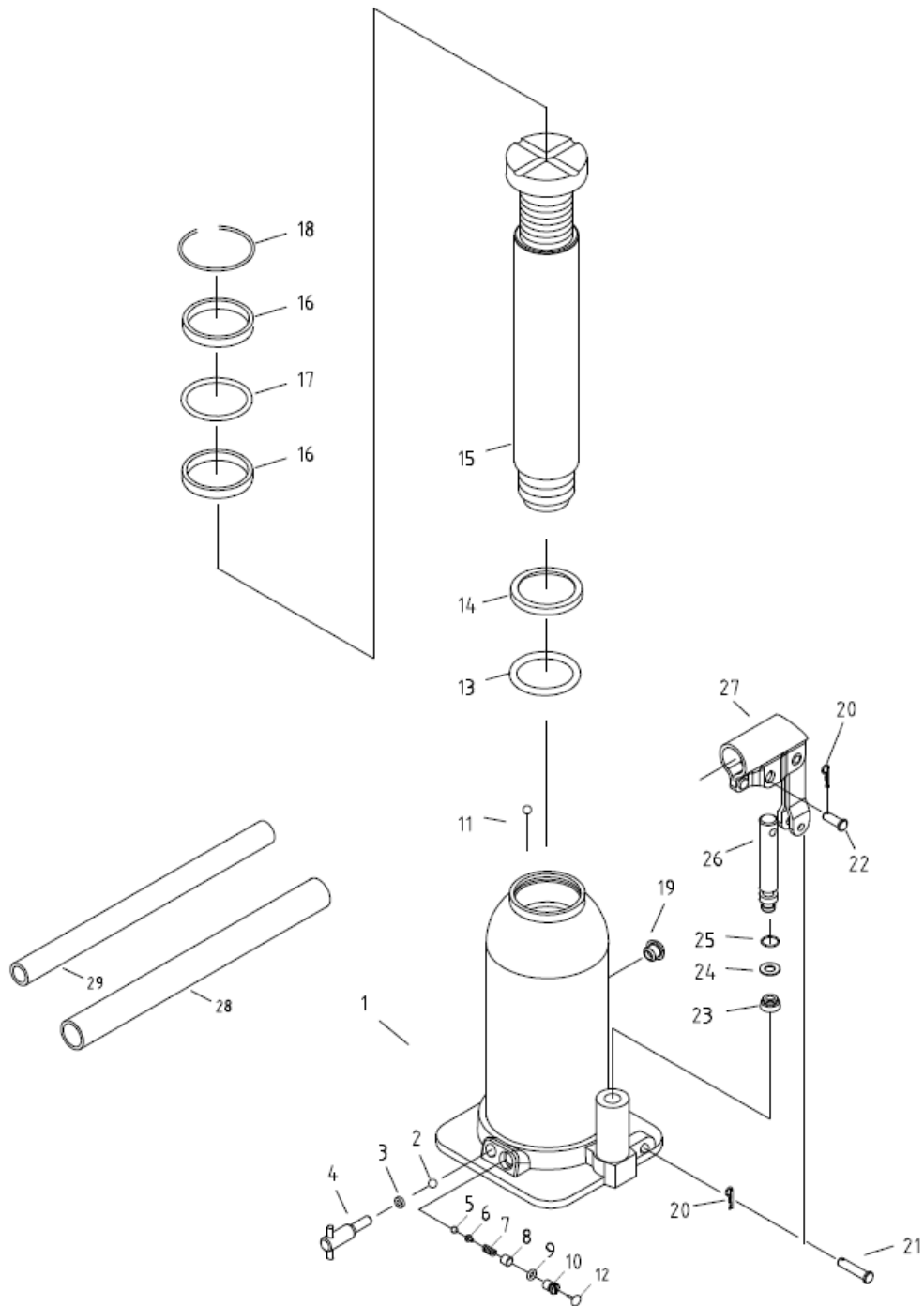




EAGLE PRO Jacks should be repaired only by a qualified operator or Authorized EAGLE PRO Service Centers. Use Only EAGLE PRO or other approved hydraulic oil. Release pressure in hydraulic system and disconnect hose(s) before making repair.

**Parts List**



Item No.	Part Number	Description	Quantity	Item No.	Part Number	Description	Quantity
1	QYLJ12D.2	Base Assembly	1	16	QYLJ12-2	Gasket (43*49.2*6)	2
2	41015	Steel Ball (6mm)	1	17★	QK2.6-19	O-Ring (42.7*3.7)	1
3★	GB3452.1-82	O-Ring (6*1.8)	1	18	QK2.6-20	Snap Ring	1
4	QYL3.3W.5.1	Release Shaft	1	19★	QYL8.21A	Oil Plug	1
5	41014	Steel Ball (4mm)	1	20	QD20-12	Pin	2
6	QYL12-11	Ball Seat	1	21	QD20-19	Link Pin	1
7	QK5.3-21	Safety Valve Spring	1	22	QD20-11	Pin	1
8	QYL3.3W-7	Adjustment Screw	1	23★	QYL3.3W.3-3	Y-Ring (5*11*7)	1
9★	QKD2.5-11	O-Ring (7.8*1.9)	1	24★	QYL3.3W.3-2	Gasket (8.1*11*2.5)	1
10	QYL10-6	Cover Screw	1	25★	QKD2.5-11	O-Ring (7.8*1.9)	2
11	GB308-89-4.5	Steel Ball (4.5mm)	1	26	QYL3.3W.3-1	Pump Plunger	1
12	QYL10-7	Nut Cap	1	27	QYLA20.2	Handle Socket	1
13★	GB3452.1-82	O-Ring (37.5*3.55)	1	28	QYLA8-23	Front Handle	1
14★	QYLA12-7	Washer (45*4.4)	1	29	QYLA8-24	Rear Handle	1
15	QYLJ12D.1	Piston	1				

★ Items included in Repair Kit, Repair Kit order number: **EBJ12EL-RP-0**