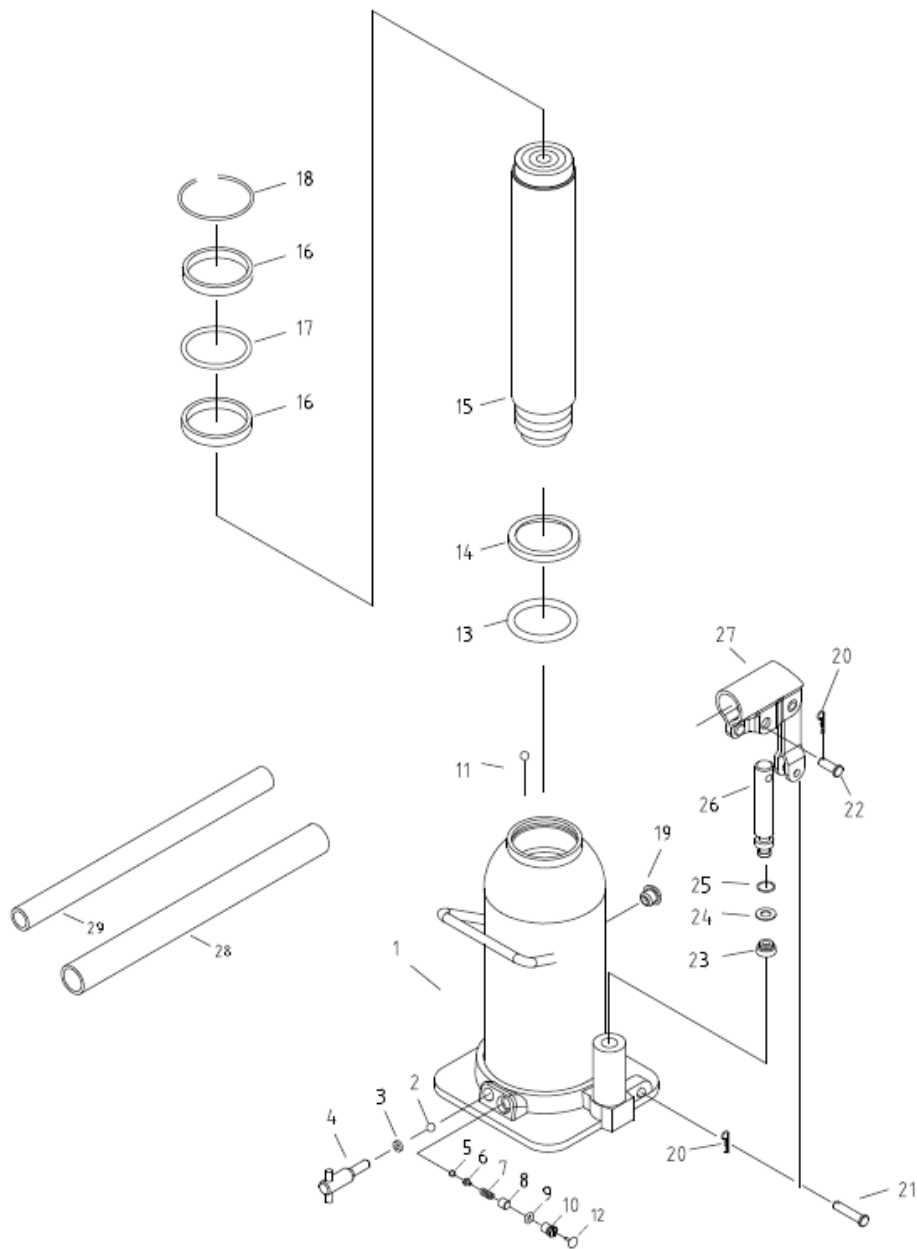




EAGLE PRO Jacks should be repaired only by a qualified operator or Authorized EAGLE PRO Service Centers. Use Only EAGLE PRO or other approved hydraulic oil. Release pressure in hydraulic system and disconnect hose(s) before making repair.

Parts List



Item No.	Part Number	Description	Quantity	Item No.	Part Number	Description	Quantity
1	QYLJ30B.1	Base Assembly	1	16	QYLJ30-3	Gasket (56*67.5*10)	2
2	41015	Steel Ball (6mm)	1	17★	QYLJ30-2	O-Ring (53*7)	1
3★	GB3452.1-82	O-Ring (6*1.8)	1	18	QYLJ30-1	Snap Ring	1
4	QYL3.3W.5.1	Release Shaft	1	19★	QYL8.21A	Oil Plug	1
5	41014	Steel Ball (4mm)	1	20	QD20-12	Pin	2
6	QYL12-11	Ball Seat	1	21	QD20-19	Link Pin	1
7	QK5.3-21	Safety Valve Spring	1	22	QYLA8-22	Pin	1
8	QYL3.3W-7	Adjustment Screw	1	23★	LD4.3-16	O-Ring (12*2.65)	1
9★	QKD2.5-11	O-Ring (7.8*1.9)	1	24★	LD4.3-15	Gasket (12*16*1.25)	1
10	QYL10-6	Cover Screw	1	25★	QD20-9	O-Ring (12.5*18.5*6)	1
11	GB308-89-4.5	Steel Ball (4.5mm)	1	26	QYLJ30-4	Pump Plunger	1
12	QYL10-7	Nut Cap	1	27	QYLJ30.3	Handle Socket	1
13★	QK10.3-7	O-Ring (53*5.3)	1	28	QYLJ20S-1	Front Handle	1
14★	QK10.3-8	Washer (65.2*6.5)	1	29	QYLJ20S-2	Rear Handle	1
15	QYLJ30S.1	Piston	1				

★ Items included in Repair Kit, Repair Kit order number: **EBJ30E-RP-0**