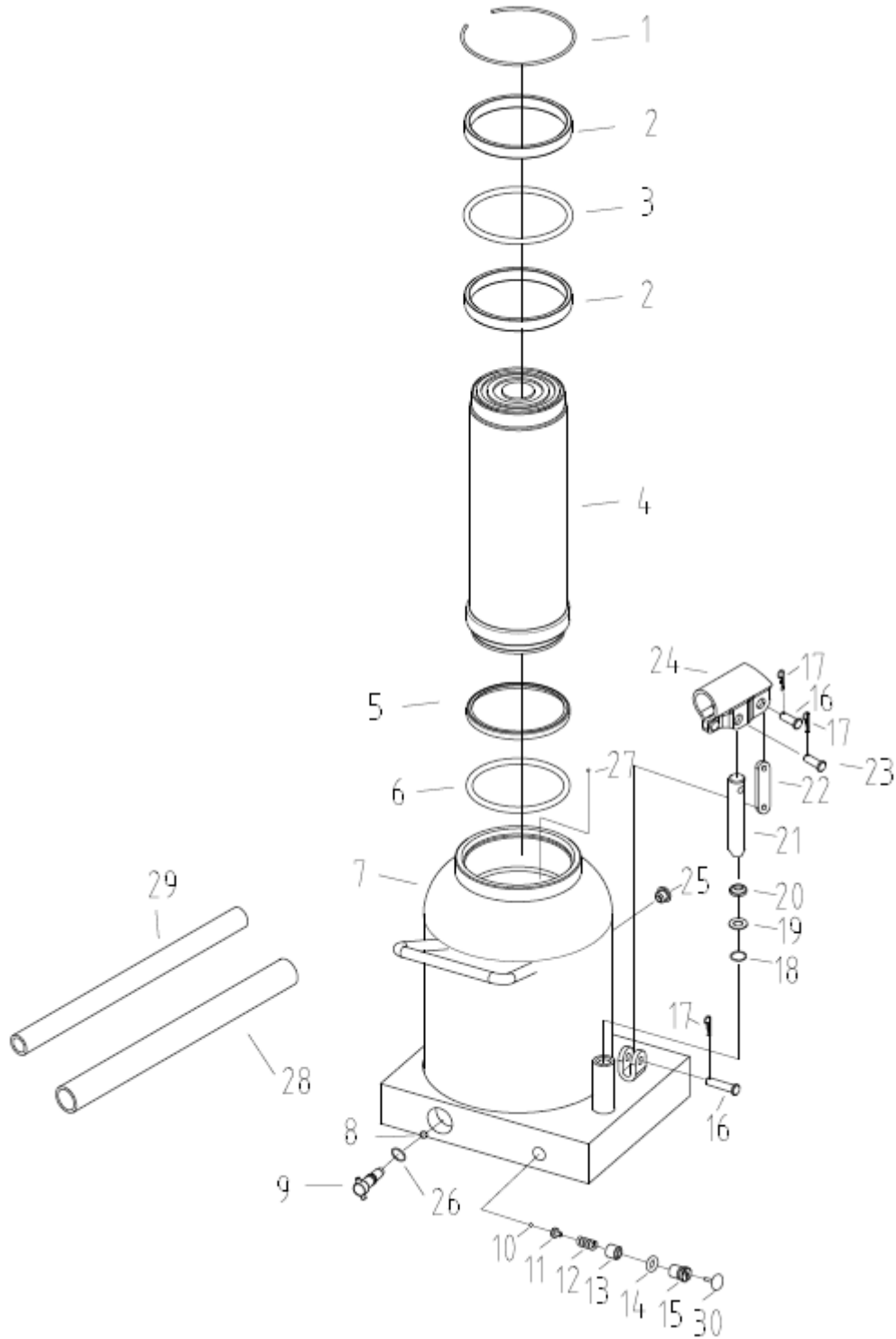




EAGLE PRO Jacks should be repaired only by a qualified operator or Authorized EAGLE PRO Service Centers. Use Only EAGLE PRO or other approved hydraulic oil. Release pressure in hydraulic system and disconnect hose(s) before making repair.

Parts List



Item No.	Part Number	Description	Quantity	Item No.	Part Number	Description	Quantity
1	QYLJ50-1	Gasket	1	16	QD20-19	Link Pin	2
2	QYLJ50-2	Guide Ring	2	17★	QD20-12	Pin	3
3★	QYLJ50-3	O-Ring (85*5.3)	1	18	GB3452.1-86	O-Ring	1
4	QYLJ50S.1	Piston	1	19★	LD4.3-15	Gasket	1
5	QYLJ50-4	Washer (90*6)	1	20	QD20-9	Wiper Ring	1
6	QYLJ50-5	O-Ring (80*5.3)	1	21	QYL12-8	Pump Plunger	1
7	QYLJ50B.1	Base Assembly	1	22	QD20-18	Link Pin	1
8	41015	Steel Ball (6mm)	1	23★	QD20-11	Pin	1
9★	QYLJ3.3W.5.1	Release Shaft	1	24★	QYLJ12-6	Handle Socket	1
10	41014	Steel Ball (4mm)	1	25★	QYL8.21A	Oil Plug	1
11	QYLJ12-11	Ball Seat	1	26	GB3452.1-82	O-Ring	1
12	QK5.3-21	Spring	1	27	GB308-89-4.5	Steel Ball (4.5mm)	1
13★	QYL3.3W-7	Adjustment Screw	1	28	QYLA20-14	Front Handle	1
14★	QKD2.5-11	O-Ring	1	29	QYLA20-15	Rear Handle	1
15	QYL10-6	Screw	1	30	QYL10-7	Nut Cap	1

★ Items included in Repair Kit, Repair Kit order number: **EBJ50E-RP-0**