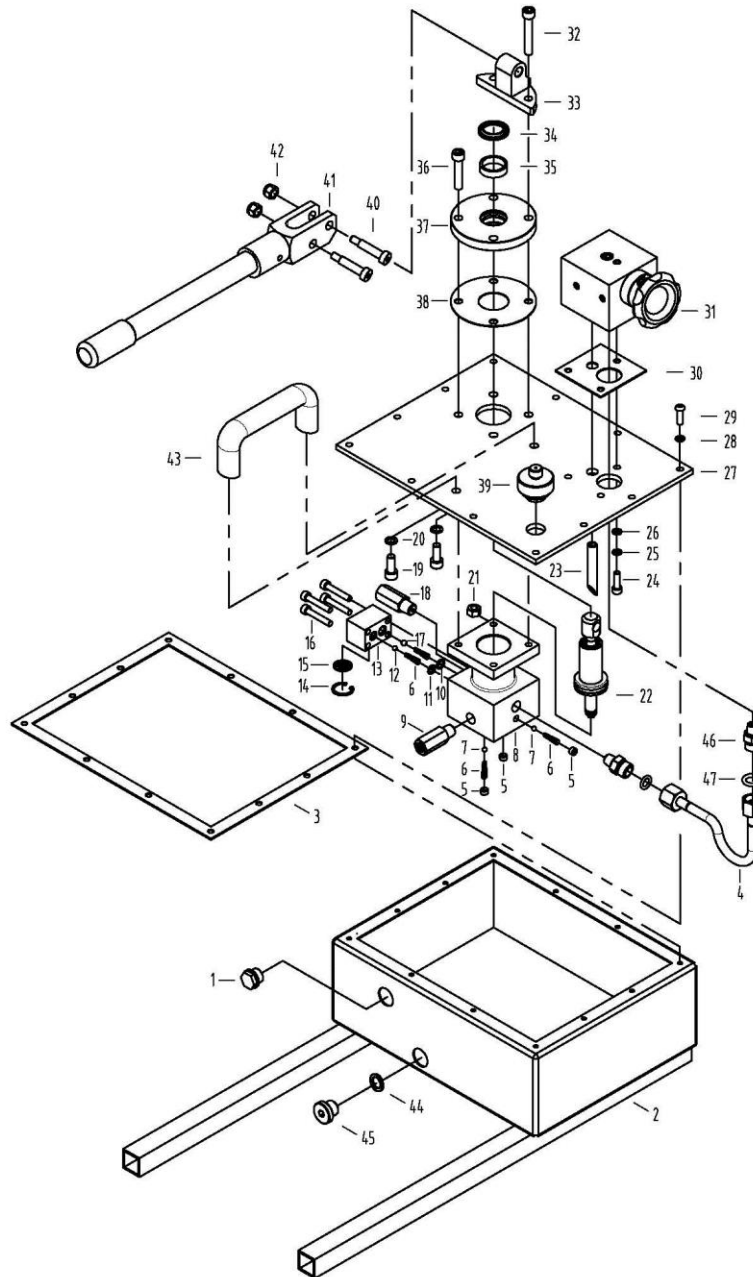




EAGLE PRO Hand Pumps should be repaired only by a qualified operator or Authorized EAGLE PRO Service Centers. Use Only EAGLE PRO or other approved hydraulic oil. Release pressure in hydraulic system and disconnect hose(s) before making repair.

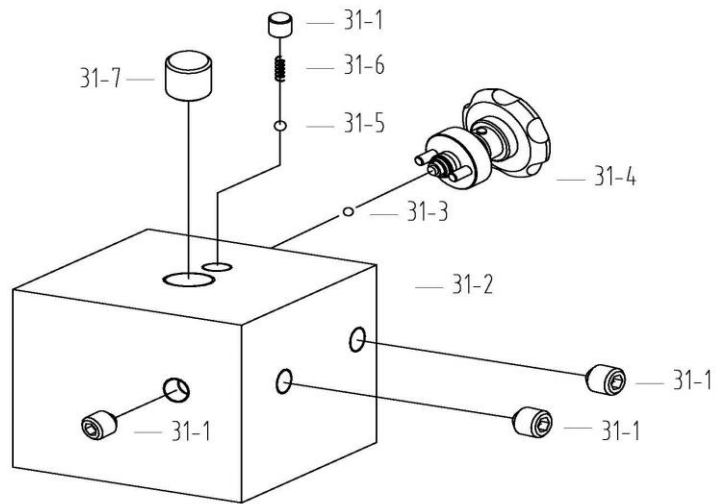
Parts List



Item No.	Part Number	Description	Quantity	Item No.	Part Number	Description	Quantity
1	JB283	Oil Sight Glass	1	27	EPA14522.2-1	Reservoir Top Plate	1
2	EPA14522.2.1	Pump Reservoir Assembly	1	28★	QY2-13	Copper Washer	12
3★	EPA17522-1	Reservoir Gasket	1	29	13083	Hex Socket Button Head Bolt (M6*20)	12
4	EPA14522.4	Oil Transfer Tube	1	30★	EPA14522-2	Valve gasket	1
5	13114	Set Screw (1/16 NPT)	3	31	EFZ005	Valve Assembly	1
6	31042	Spring (0.3*5.6*4.5*21)	4	32	13008	Hex Socket Cap Head Bolt (M8*50)	2
7	41005	Steel Ball (5.0 G10)	2	33	EPA14522.1-6	Handle Base	1
8	EPA14522.1-2	Pump Body	1	34★	21716	Wiper Ring (25*33*5)	1
9	EV35	High Pressure Safety Valve	1	35	21431	Anti-Wear Ring (30*25*8)	1
10★	24007	O-Ring (7.8*1.9)	1	36	13006	Hex Socket Cap Bolt (M8*40)	2
11★	24220	O-Ring (6.8*1.9)	1	37	EPA14522.1-5	Piston Cover	1
12	41019	Steel Ball (4.76 G10)	1	38★	EPA14522.1-4	Piston Cover Gasket	1
13	EPA14522.1-7	Connection Block	1	39	EPA31621.3	Reservoir Fill Cap	1
14	13146	Snap Ring	1	40	41064	Handle Bolt	2
15	EPA14522.1-3	Filter	1	41	EPA14521-H	Handle Assembly	1
16	11007	Bolt (M6*35)	4	42	14053	Lock Nut (M8)	2
17	41006	Steel Ball (5.5 G10)	1	43	QB8253.1-98	Carrying Handle	1
18	EV36	Low Pressure Safety Valve	1	44	13316	O-Ring (14mm)	1
19	13003	Hex Socket Cap Head Bolt (M8*20)	2	45	41089	Oil Plug	1
20★	YG1/2.2-1	Copper Washer	2	46	EJH.0-1	Fitting	2
21	14038	Nut (M8)	4	47★	24164	O-Ring (8.8*1.9)	2
22	EPA14522.1.1A	Piston Assembly	1	48★	EPA14522.1	Eagle Pro Label	1
23	EJH001	Oil Return Tube	1	49★	EPA14522.2	Warning Label	1
24	11004	Hex Socket Cap Head Bolt (M6*20)	3				
25	13124	Washer	3				
26	13115	Washer	3				

★Items included in Repair Kit, Repair Kit order number: **EPA14521-RP-B**

EFZ005 Valve Assembly Parts List



Item No.	Part Number	Description	Quantity	Item No.	Part Number	Description	Quantity
31-1	13114	Set Screw (1/16 NPT)	4	31-5	41005	Steel Ball (5.0 G10)	1
31-2	EFZ005-01	Valve Block	1	31-6	EPA11621.01-04	Spring	1
31-3	41006	Steel Ball (5.5 G10)	1	31-7	11034	Set Screw (1/4 NPT)	4
31-4	EPA10921A-R1	Release Valve Assembly	1				