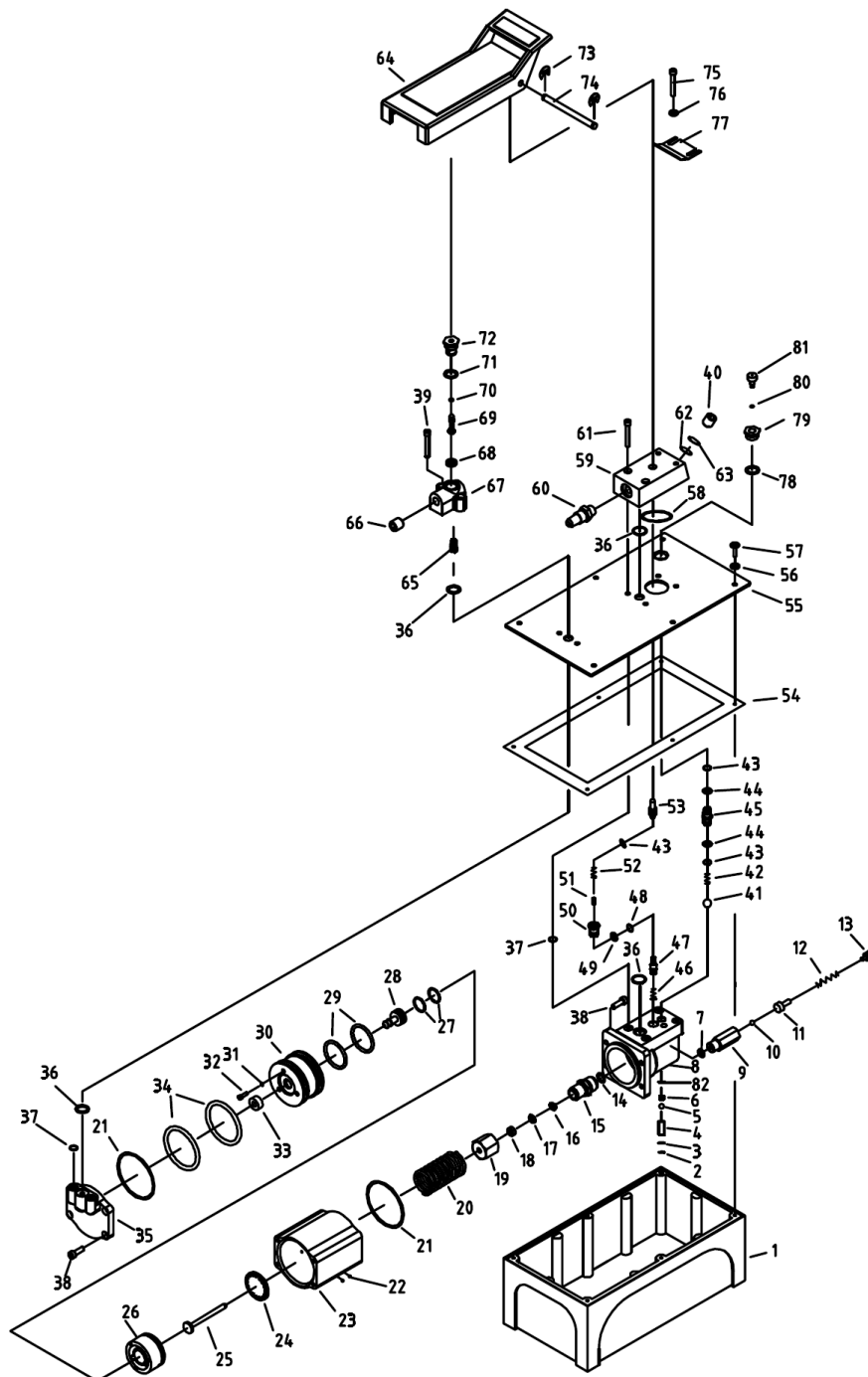




EAGLE PRO Air Hydraulic Pump should be repaired only by a qualified operator or Authorized EAGLE PRO Service Centers. Use Only EAGLE PRO or other approved hydraulic oil. Release pressure in hydraulic system and disconnect hose(s) before making repair.

Parts List



| No. | Part Number | Description | Qty. | No. | Part Number | Description | Qty. |
|-----|---------------|------------------------------|------|-----|---------------|---------------------------------|------|
| 1 | QY3-Y1 | Reservoir | 1 | 42 | QD22.2-9 | Spring (High pressure spring) | 1 |
| 2 | 13135 | Snap Ring | 1 | 43★ | QY2-20 | O-ring | 3 |
| 3 | QY2S0-01-0007 | Oil filter | 1 | 44★ | QY2-19 | Nylon Gasket | 2 |
| 4 | QY2-11 | Oil Suction Pipe | 1 | 45 | QY2-18 | Coupler | 1 |
| 5 | 41007 | Steel Ball | 1 | 46 | QY2-12 | Spring (release valve spring A) | 1 |
| 6 | QY2-14 | Block | 1 | 47 | QY2-Y3 | Ball Seat | 1 |
| 7★ | QY2-13 | Copper Washer | 1 | 48★ | QY2-15 | O-ring | 1 |
| 8 | QY2-10 | Valve Block | 1 | 49★ | QY2-16 | Nylon Gasket | 1 |
| 9 | QY2.2-1 | Safety Valve | 1 | 50 | QY2-17 | Release Valve | 1 |
| 10 | 41003 | Steel Ball | 1 | 51 | QY2-29 | Pin | 1 |
| 11 | QK5.3-22 | Ball Seat | 1 | 52 | QY2-28 | Spring (Release valve spring B) | 1 |
| 12 | QK5.3-21 | Safety Valve Spring | 1 | 53 | QY2-22 | Release Rod | 1 |
| 13 | QK5.3-20 | Bolt | 1 | 54★ | QY2-3 | Seal | 1 |
| 14★ | YG1/2.1-3 | Copper Washer | 1 | 55 | QY2-2 | Cover | 1 |
| 15 | QY2-9 | Pump Cylinder | 1 | 56 | QY2-13 | Copper Washer | 12 |
| 16★ | QD22.3-16 | Y-ring | 1 | 57 | 12025 | Bolt | 12 |
| 17★ | QD22.3-15 | Nylon Gasket | 1 | 58★ | QK2.6-14 | O-ring | 1 |
| 18★ | QD22.3-14 | Copper Washer | 1 | 59 | QY2-21 | Fixing Base | 1 |
| 19 | QD20.2-9 | Nut | 1 | 60 | QY100-01-0024 | Exhaust Muffler | 1 |
| 20 | QY2-8 | Spring (Air cylinder spring) | 1 | 61 | 11007 | Bolt | 2 |
| 21★ | QY2-30 | O-ring | 2 | 62 | 15850-01-0042 | Filter | 1 |
| 22 | 41016 | Steel Ball | 4 | 63 | 13300 | Snap Ring | 1 |
| 23 | QY2-7 | Air Pump Housing | 1 | 64 | QY2-1 | Foot Pedal | 1 |
| 24 | QD20.2-8 | Washer | 1 | 65 | QY2-5 | Spring (compressed spring) | 1 |
| 25 | QD22.3-13 | Pump Plunger | 1 | 66 | 22T00-01-0012 | End Cap | 1 |
| 26 | QD20.2-6 | Air Piston Base | 1 | 67 | QY2.1-2 | Air Valve | 1 |
| 27★ | QD20.2-5 | O-ring | 2 | 68 | QD22.11.1-4 | Seal | 1 |
| 28 | QD20.2-2 | Air Shuttle Valve | 1 | 69 | QY2.1-1 | Air Valve Rod | 1 |
| 29★ | QK2.6-19 | O-ring | 2 | 70★ | QD22.11.1-7 | O-ring | 1 |
| 30 | QD20.2-7 | Piston | 1 | 71★ | QK5.3-2 | O-ring | 1 |
| 31★ | QD22.3-21 | O-ring | 3 | 72 | QD22.11.1-5 | Switch Coupler | 1 |
| 32 | 12014 | Bolt | 3 | 73 | 13292 | Snap Ring | 2 |
| 33 | QD20.2-3 | Shuttle Valve Seal | 1 | 74 | QY2-24 | Pin | 1 |
| 34★ | QD22.3-11 | O-ring | 2 | 75 | 11009 | Bolt | 2 |
| 35 | QY2-6 | Rear Cover | 1 | 76 | 13115 | Washer | 2 |
| 36★ | 24276 | O-ring | 4 | 77 | QY2-23 | Washer | 1 |
| 37★ | QD20-15 | O-ring | 6 | 78 | QY2-27 | Seal | 1 |
| 38 | 11004 | Bolt | 8 | 79 | QY2-26 | Oil Filter Plug | 1 |
| 39 | 11005 | Bolt | 2 | 80★ | 24187 | O-ring | 1 |
| 40 | QY100-01-0006 | End Cap | 1 | 81 | QY2-25 | Air Plug | 1 |
| 41 | 41017 | Steel Ball | 1 | 82★ | QY2-32 | Copper Washer | 1 |

★ Items included in Repair Kit, Repair Kit order number: **EPC003-RP-0**