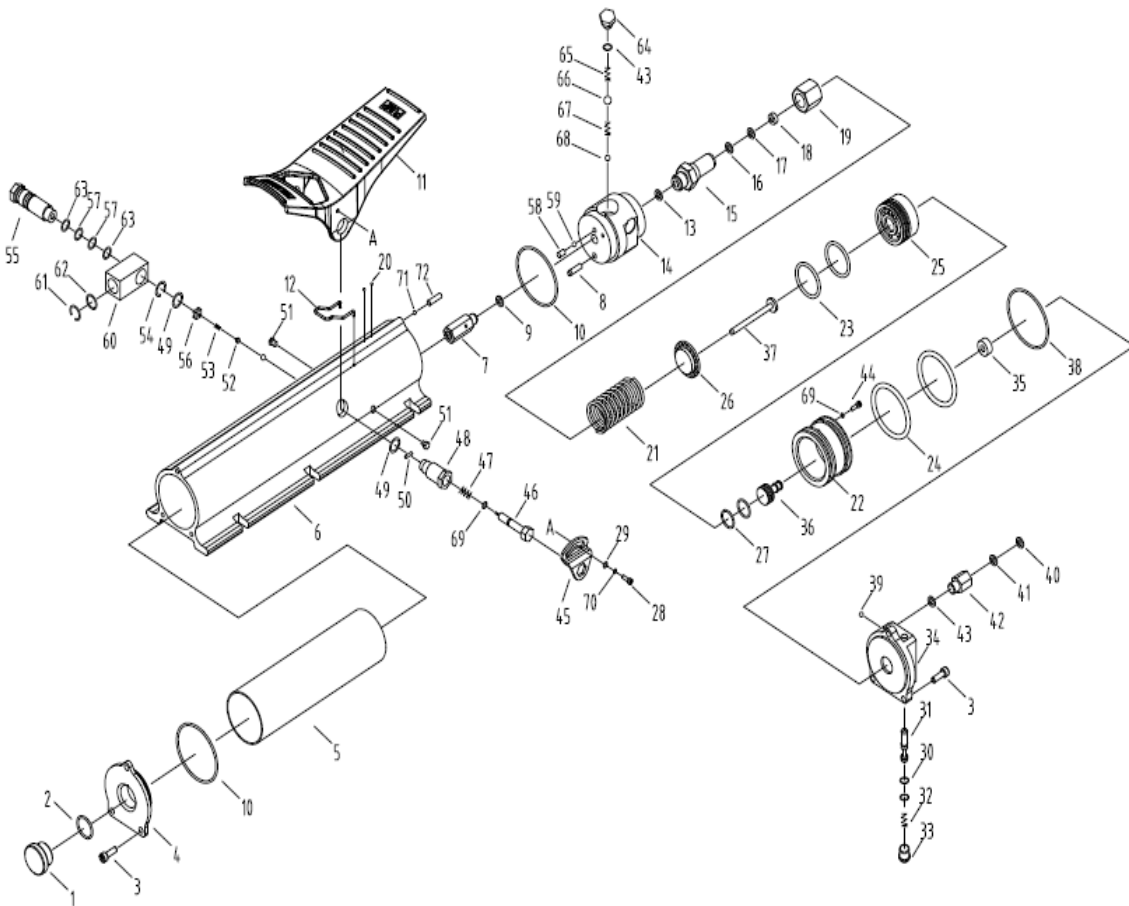




EAGLE PRO Air Hydraulic Pumps should be repaired only by a qualified operator or Authorized EAGLE PRO Service Centers. Always release pressure in hydraulic system and disconnect hose(s) before making any repairs.

Parts List



No.	Part Number	Description	Qty.	No.	Part Number	Description	Qty.
1	QY1/2-1	Oil Plug	1	37	QD22.3-13	Pump Plunger	1
2	42997	O-ring	1	38	QD22.3-7	O-ring	1
3	11004	Bolt	6	39	41005	Steel Ball	1
4	QY1/2-2	Cover	1	40	13135	Gasket	1
5	QY1/2-3	Reservoir	1	41	QY1/2-28	Oil filter	1
6	QY1/2-4	Pump Body	1	42	QY1/2-14	Coupler	1
7	QY2.2	Safety valve	1	43	QK5.3-23	Copper Washer	2
8	QY1/2-27	Oil filter	1	44	12015	Bolt	3
9	QY2-13	Copper Washer	1	45	QY1/2-15	plate	1
10	QY1/2-5	Snap Ring	2	46	QY1/2-16	release valve pin	1
11	QY1/2-6	Foot Pedal	1	47	QY1/2-17	spring	1
12	QY1/2-7	Snap ring	1	48	QY1/2-18	valve seat	1
13	YG1/2.1-3	Copper washer	1	49	YG1/2.1-13	Copper Washer	2
14	QY1/2-8	Valve block	1	50	QY1/2-19	Pin	1
15	QY2-9	Pump Cylinder	1	51	QD22K.1-15	Exhaust Muffler	2
16★	QD22.3-16	Y-ring	1	52	QY1/2-20	ball seat	1
17★	QD22.3-15	Nylon Gasket	1	53	QY1/2-21	spring	1
18	QD22.3-14	Copper Washer	1	54	13296	gasket	1
19	QD20.2-9	Nut	1	55	QY1/2-22	coupler	1
20	41016	Steel Ball	2	56	QY1/2-23	spring seat	1
21	QY2-8	Spring	1	57	QK5.3-2	O-ring	2
22	QD20.2-7	Piston	1	58	41063	Bolt	1
23	QK2.6-19	O-ring	2	59	41005	Steel Ball	1
24★	QD22.3-11	O-ring	2	60	QY1/2-24	fitting	1
25	QD20.2-6	Air Piston Base	1	61	13138	gasket	1
26	QD20.2-8	Washer	1	62	EPA10921-1	filter	1
27★	QD20.2-5	O-ring	2	63	QK5.3-1	gasket	2
28	13083	Bolt	1	64	QY1/2-25	bolt	1
29	13115	Washer	1	65	QY1/2-26	spring	1
30★	QY1/2-9	O-ring	2	66	41017	Steel Ball	1
31	QY1/2-10	pin	1	67	QYL8-10	spring	1
32	QY1/2-11	spring	1	68	41013	steel ball	1
33	QY1/2-12	Bolt	1	69	QD22.3-21	O-ring	4
34	QY1/2-13	Rear cover	1	70	13124	Washer	1
35	QD20.2-3	Shuttle Valve Seal	1	71	41003	Steel Ball	1
36	QD20.2-2	Air Shuttle Valve	1	72	QY2-31	Plug	1

★ Items included in, and available only as part of the repair kit. Repair Kit No: **EPC200-RP-0**