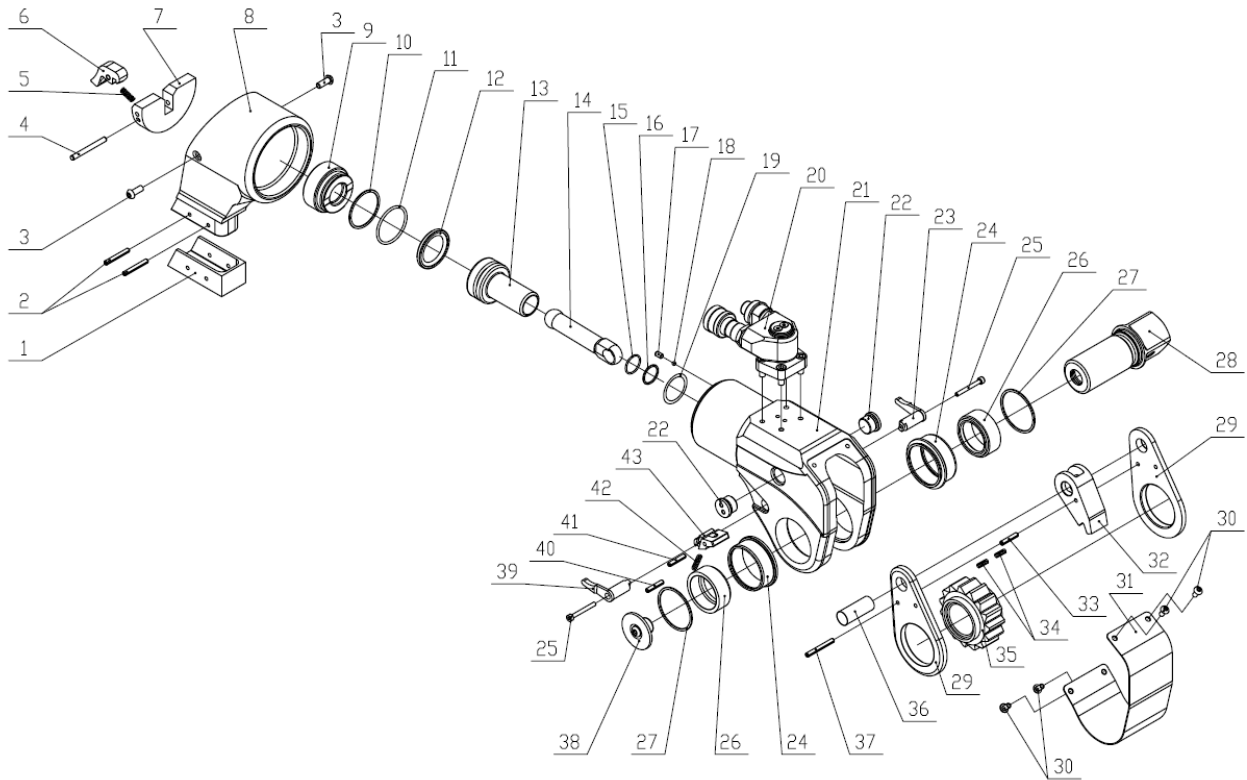




EAGLE PRO Hydraulic Torque Wrenches should only be repaired by a qualified operator or Authorized EAGLE PRO Service Center. Always release pressure in the hydraulic system and disconnect hose(s) before making repairs.

ESW -1 Part List

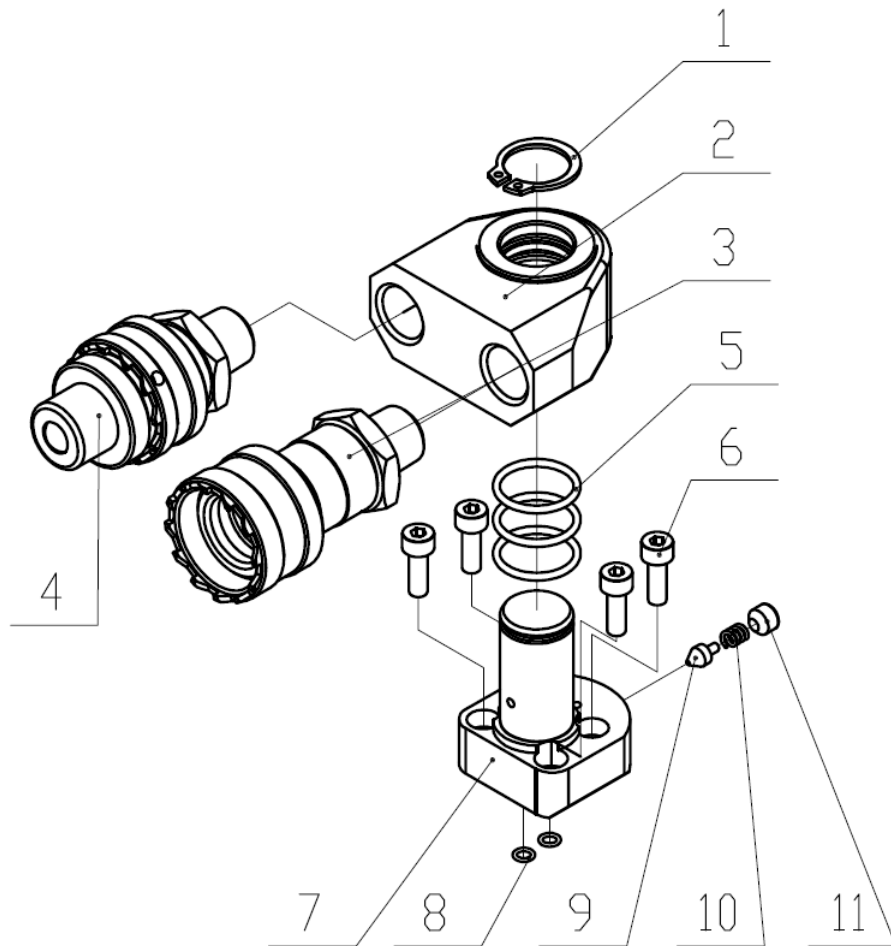


NO	Part No.	Description	QTY	NO	Part No.	Description	QTY
1	ESW1-1	Reaction Arm Boot	1	23	ESW1-17	Release Lever	1
2	13344	Pin (4*24)	2	24	ESW1-21	Copper Ring	2
3	41072	Bolt (M4*12)	2	25	11027	Bolt (M3*20)	2
4	41174	Pin (3*40)	1	26	ESW5A-20	Drive Bushing	2
5	ESW1-2	Spring	1	27	EEH-32	Snap-ring	2
6	ESW1-3	Reaction Arm Release Lever	1	28	ESW1-19	Drive Shaft	1
7	ESW1-5	Arm Retaining Plate	1	29	ESW1-14	Drive Plate	2
8	ESW1-4	Reaction Arm	1	30	41071	Bolt (M4*6)	4
9	ESW1-6	Cylinder Base	1	31	ESW1-12	Cover	1
10★	41844	Gasket (28*24*1.6)	1	32	ESW1-25	Pawl	1
11★	42983	O-ring (23.47*2.62)	1	33	13323	Pin (3*14)	1
12★	41845	Glyd Ring (28*20.5*3.2)	1	34	ESW1-24	Spring	2
13◆	ESW1-10	Piston Assembly	1	35	ESW1-16	Ratchet	1
14◆			1	36	ESW1-15	Drive Pin	1
15◆			1	37	13328	Pin (3*24)	1
16◆			1	38	JS3-00	Drive Release	1
17	41078	Bolt (M3*6)	1	39	ESW1-18	Release Lever	1
18	41020	Steel Ball	1	40	41175	Pin (2.5*14)	1
19★	43002	O-ring (18.72*2.62)	1	41	41165	Pin (2*14)	1
20	EJT4A	Swivel Assembly	1	42	ESW1-22	Spring	1
21	ESW1-9	Housing	1	43	ESW1-23	Segment slider	1
22	ESW1-13	Bolt	2				

Note: ★ Denotes items in and only available in the torque wrench repair kit: **ESW1-RP-A**

◆ Denotes items that must be replaced as an assembly

EJT4A Part List



NO	Part No.	Description	QTY	NO	Part No.	Description	QTY
1	13220	Snap Ring	1	7	EJT4-1	Swivel Base	1
2	EJT4A-2	Swivel Block	1	8▲	42990	O-ring	2
3	EAB-202TA	Female Coupler	1	9	EJT6-11	Pin	1
4	EAB-202TB	Male Coupler	1	10	EJT6-10	Spring	1
5▲	42985	O-ring	3	11	11022	Bolt	1
6	11029	Bolt	4				

Note: ▲ Denotes items in and only available in the swivel repair kit: **EJT4-RP-B**.