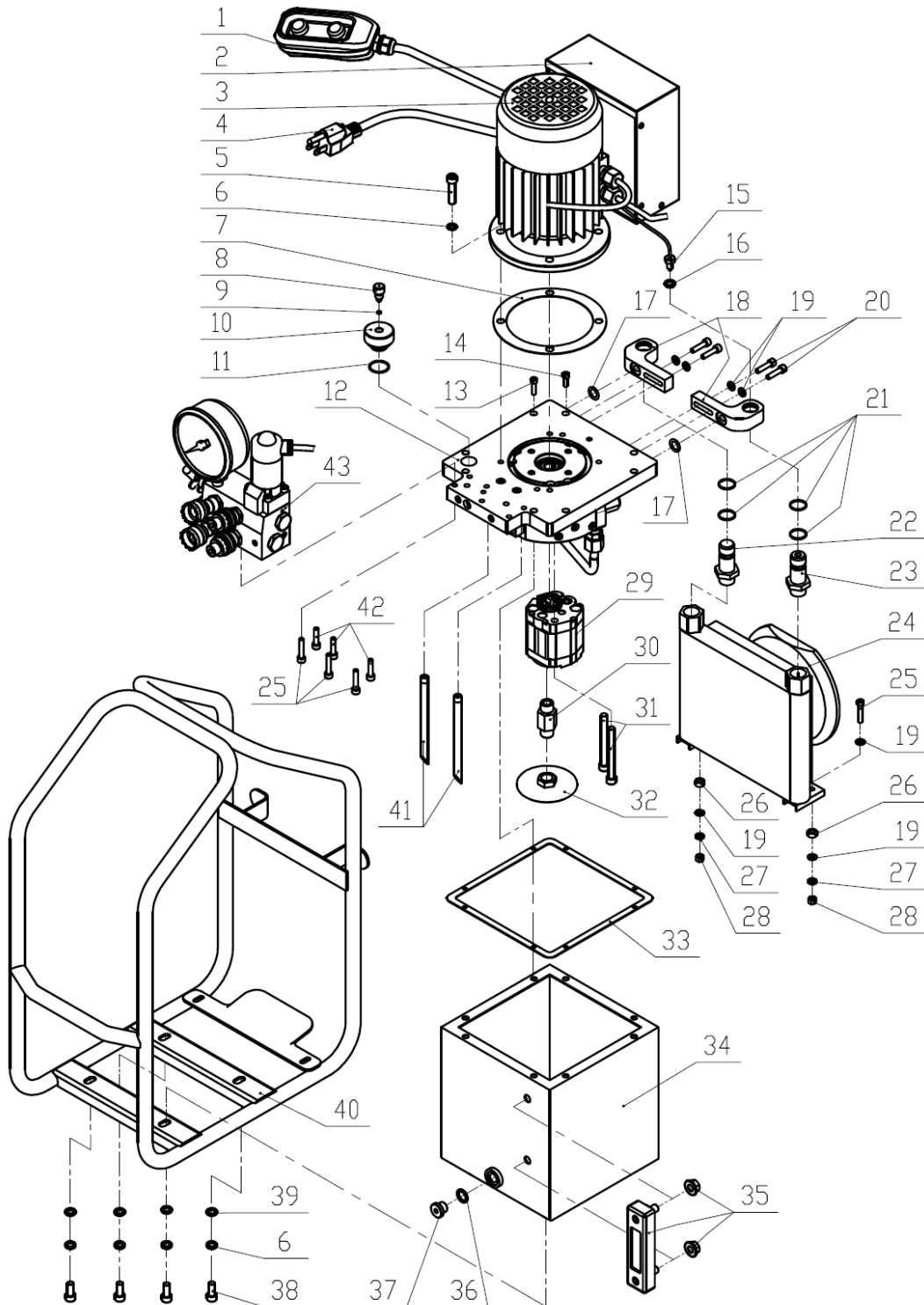




EAGLE PRO electric pumps should be repaired only by a qualified operator or Authorized EAGLE PRO Service Center. Use Only EAGLE PRO or other approved hydraulic oil. Release pressure in hydraulic system and disconnect hose(s) before making repair.

**1. TWP-2AF Parts List**

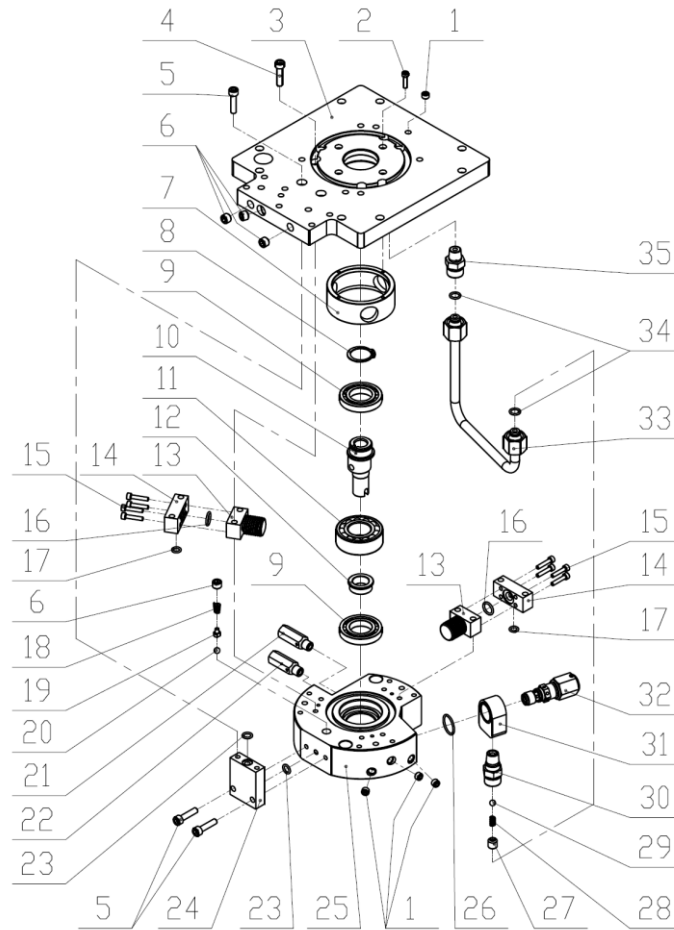


## TWP-2AF Parts List

NO	Part No.	Description	QTY	NO	Part No.	Description	QTY
1	XKSB.5	Pendant switch	1	23	TWP-2AF.3-1	Oil Cooler Fitting B	1
2	DQH05	Electric Control Box	1	24	HF0510/24v	Oil Cooler	1
3	ML7132(71L2A)	Motor 1.3Hp 115V 60Hz	1	25	11006	Bolt (M6x30)	5
4	YY-3G	Power Cord	1	26	TWP-2AF-3	Bushing	2
5	13005	Bolt (M8x30)	4	27	13124	Washer	2
6	13125	Washer	8	28	14037	Nut (M8x30)	2
7	EPB-3B1P2B-1	Motor gasket	1	29	BKP1Q0D2.7GOL1-B	Gear Pump	1
8	EPA21621.3-1	Reservoir Vent Bolt	1	30	TWP-2AF-1	Fitting	1
9★	24187	O-ring (2.8*1.8)	1	31	13013	Bolt (M8*80)	2
10	EPA21621.3-2	Oil Cap	1	32	BYG01	Oil Filter	1
11★	24227	O-ring (23.6*1.8)	1	33	TWP-2AF-2	Reservoir Gasket	1
12	TWP-2AF.2	Pump Assembly	1	34	TWP-2AF.5	Oil Reservoir	1
13	11023	Bolt (M5x25)	6	35	YWZ-100T	Oil Level Gauge	1
14	12017	Bolt (M5x20)	2	36	13316	Gasket	1
15	WK-24V	Temperature Sensor	1	37	41074	Bolt (M14*1.5)	1
16	13313	Washer	1	38	13002	Bolt (M8*16)	4
17★	24188	O-ring (12x2.65)	2	39	13116	Washer	4
18	TWP-2AF.3-2	Fitting block	2	40	TWP-2AF.1	Roll Cage	1
19	13115	Washer	8	41	EPB-3B5P5A-3	Oil Tube	2
20	11005	Bolt (M6*25)	4	42	11004	Bolt (M6*20)	3
21★	42966	O-ring	4	43	TWP-2AF.6	Control Valve Assembly	1
22	TWP-2AF.3-3	Oil Cooler Fitting A	1	44	03.03.0049	Eagle Pro Label	1

**Note:** ★Denotes items in and only available in pump repair kit: **TWP2AF-RP-B**

## 2. TWP-2AF.2 Pump Assembly

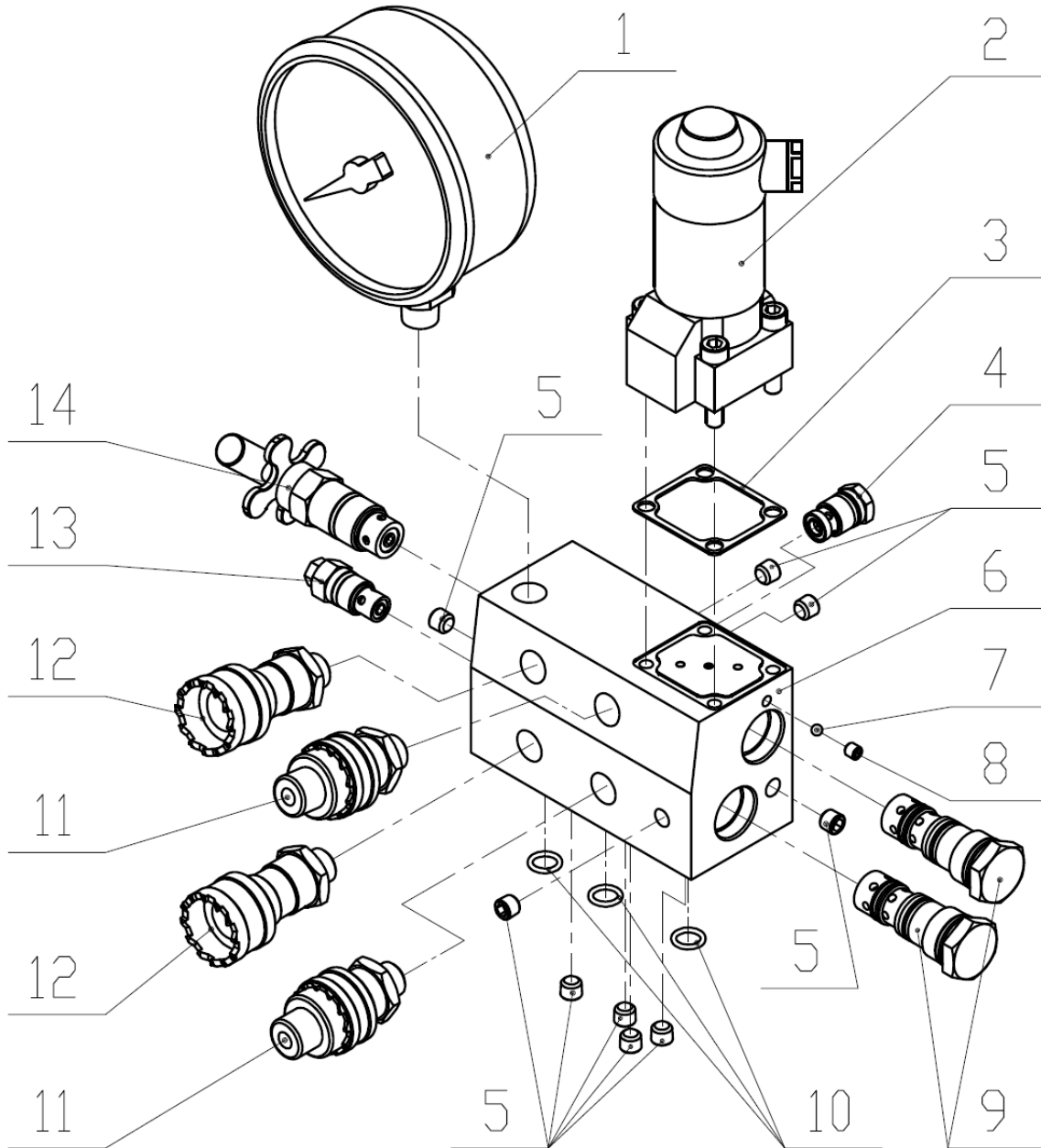


### TWP-2AF.2 Pump Assembly

NO	Part No.	Description	QTY	NO	Part No.	Description	QTY
1	13114	Threaded Cap	8	19	EJZ001-3	Ball Seat	1
2	12005	Bolt (M4x16)	4	20	41008	Steel Ball	1
3	TWP-2AF.2-2	Cover	1	21	EF3.1A	Low Pressure Safety Valve	1
4	11008	Bolt (M6x40)	6	22	EF3.2	High Pressure Safety Valve	1
5	11005	Bolt (M6x25)	4	23◆	24007	O-ring (7.8x1.9)	2
6	11025	Threaded Cap	4	24	TWP-2AF.2-5	Block	1
7	TWP-2AF.2-3	Bushing	1	25	TWP-2AF.2-4	Connector Block	1
8	13229	Gasket	1	26◆	42996	O-ring (20.35x1.78)	1
9	16005-2Z	Grooved Ball Bearing	2	27	TWP-2AF.2.3-3	Bolt	1
10	TWP-2AF.2-1	Eccentric Shaft	1	28	TWP-2AF.2.3-2	Spring	1
11	4205	Grooved Ball Bearing	1	29	41007	Steel Ball	1
12	EPB-3B1P2B.2-6	Bushing	1	30	TWP-2AF.2.3-1	Fitting	1
13	MPE5	Piston Pump	3	31	TWP-2AF.2-6	Connector Block	1
14	TWP-2AF.2.1-1	Connector Block	3	32	TWP-2AF.2.2	Low Pressure Relief Valve	1
15	12006	Bolt (M4x20)	12	33	TWP-2AF.4	Cooling Tube	1
16◆	24284	O-ring (12.5x1.8)	3	34◆	24164	O-ring (8.8x1.9)	2
17◆	24001	O-ring (5.8x1.9)	3	35	EJH.0-1	Fitting	1
18	EGYB03-4	Spring	1				

**Note:** ◆Denotes items in and only available in pump repair kit: **TWP2AF.2-RP-B**

### 3. TWP-2AF.6 Control Valve Assembly



#### TWP-2AF.6 Control Valve Assembly

NO	Part No.	Description	QTY	NO	Part No.	Description	QTY
1	EG-4010T	Pressure Gauge	1	8	41073	Bolt (M5*6)	1
2	GZ3-1-G24	Solenoid Valve	1	9	EV60	Directional Valve	2
3	TWP-2AF.6-2	Gasket	1	10▲	24164	O-ring (8.8x1.9)	3
4	EV91	Check Valve	1	11	EAB-202TB	Male Coupler	2
5	13114	Threaded Cap	9	12	EAB-202TA	Female Coupler	2
6	TWP-2AF.6-1	Valve Block	1	13	EV34	Low Pressure Safety Valve	1
7	41003	Steel Ball	1	14	EV30	High Pressure Safety Valve	1

**Note:** ▲Denotes items in and only available in pump repair kit: **TWP2AF.6-RP-B**