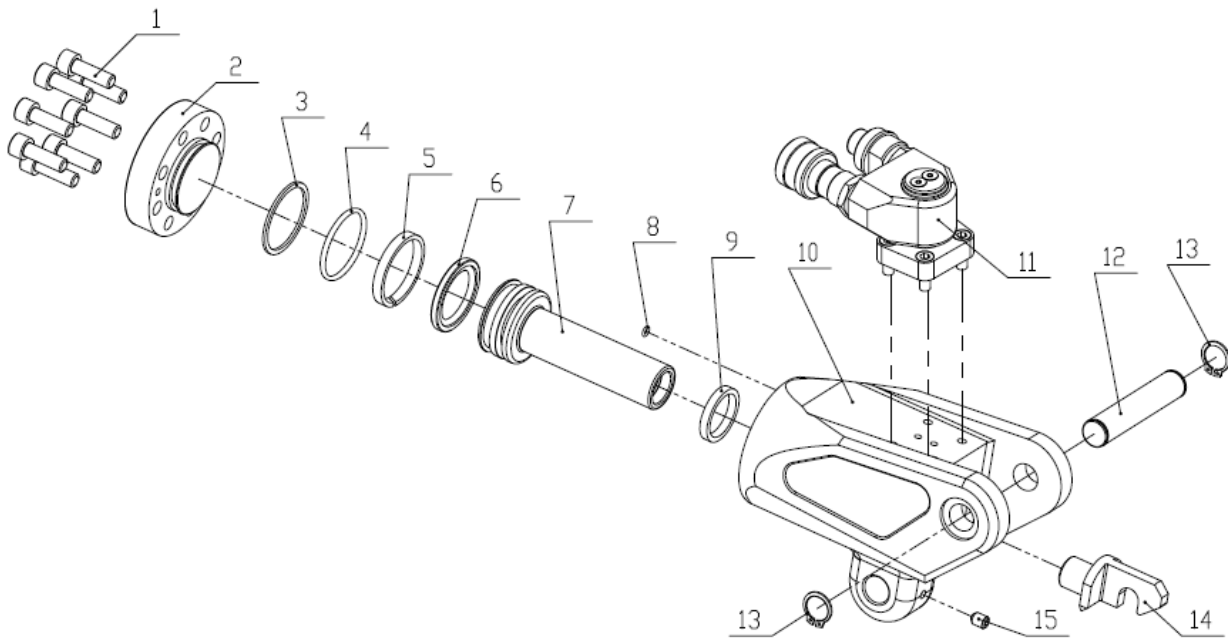




EAGLE PRO Torque Wrenches should only be repaired by a qualified operator or Authorized EAGLE PRO Service Center. Release pressure in hydraulic system and disconnect hose(s) before attempting any repair.

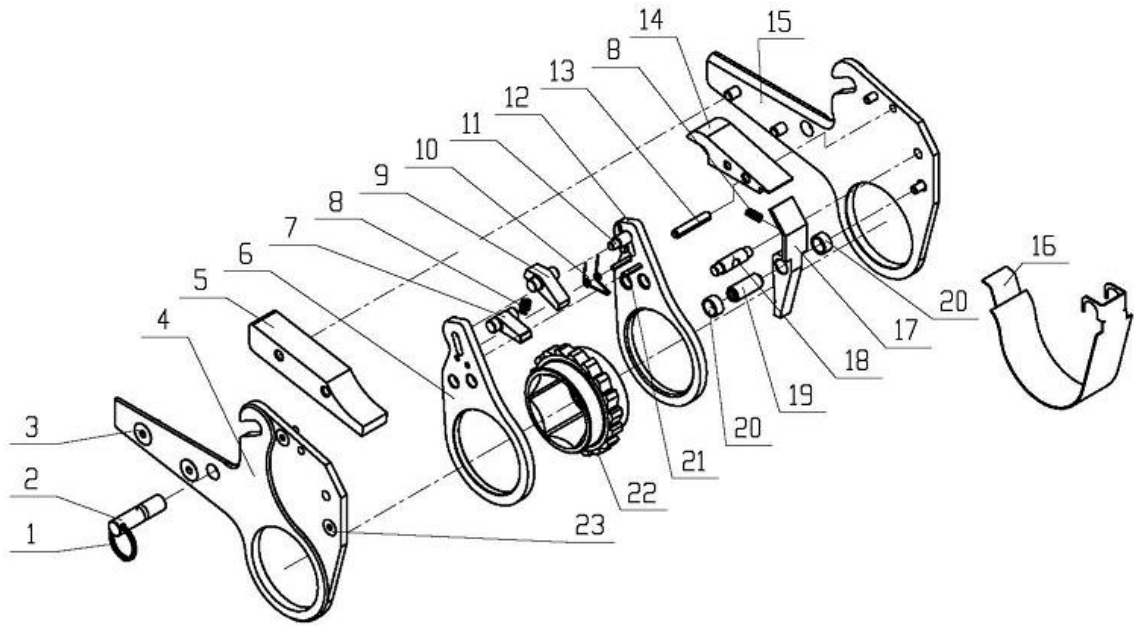
**EHW-8 Drive Body Parts List**



NO	Part No.	Description	QTY	NO	Part No.	Description	QTY
1	13004	Hex Socket Cap Head Bolt (M8*25)	8	9★	43676	U-cap (32*26*4.7)	1
2	EHW8-5	Cylinder End Cap	1	10	EHW8-1	Driver Body	1
3★	21273	Gasket (43*37.6*1.6)	1	11	EJT5C	Swivel Assembly Complete	1
4★	42999	O-Ring (36.5*3.55)	1	12	EHW8-2	Mounting Pin	1
5	42309	Anti-Wear Ring (43*38*5.6)	1	13	13220	Snap Ring	2
6★	41169	Gasket (43*32*4.2)	1	14	EHW8-3	Drive Hook	1
7	EHW8-4	Piston	1	15	41066	Link Pin Retaining Screw (M6*12)	1
8★	24187	O-Ring (2.8*1.8)	1				

★Denotes items in and only available as part of the torque wrench repair kit: EHW8-RP-B.

## EHW-8 Link Parts List



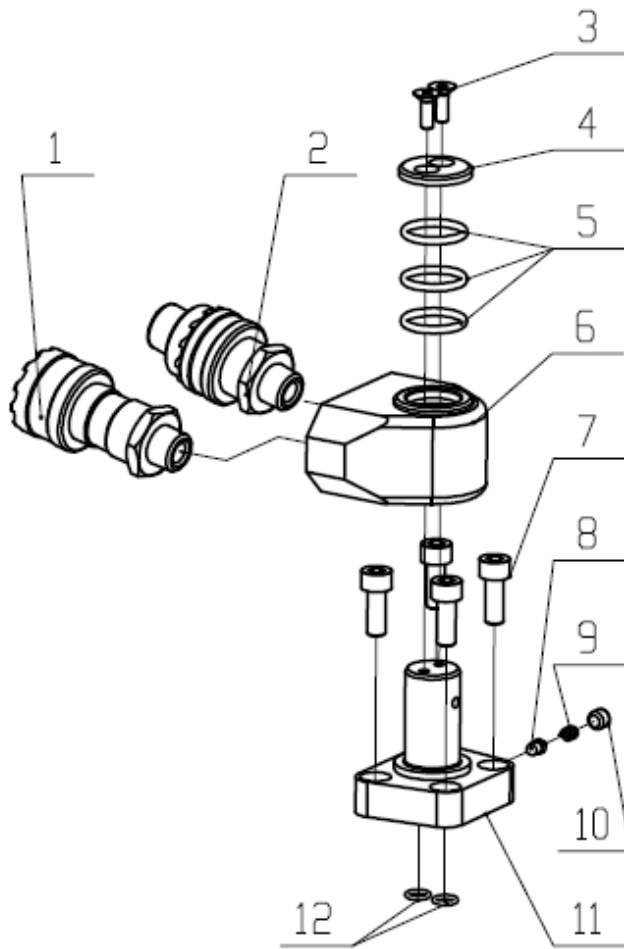
NO	Part No.	Description	QTY	NO	Part No.	Description	QTY
1	EK-30	Link Retaining Pin Ring	1	13	41168	Pin	1
2	EHWL8-10	Link Retaining Pin W/Ring	1	14	EHWL08-7	Top Spacer	1
3	41067	Hex Socket Flat Head Bolt (M10*25)	4	15	EHWL08-XX-4	Left Side Drive Plate	1
4	EHWL08-XX-3	Right Side Plate	1	16	EHWL08-XX-7	Cover	1
5	EHWL08-XX-8	Reaction Block Spacer	1	17	EHWL08-XX-2	Reaction Pawl	1
6	EHWL08-XX-6	Right Side Drive Plate	1	18	EHWL08-9	Pin	1
7	EHWL08-1	Secondary Drive Pawl	1	19	EHWL08-8	Reaction Pawl Pin	1
8	EHWL08-3	Drive Pawl Spring	2	20	EHWL08-11	Reaction Pawl Pin Bushing	2
9	EHWL08-2	Primary Drive Pawl	1	21	13348	Pin	2
10	EHWL08-5	Drive Pin Spring	1	22	EHWL08-XX-1	Drive Segment	1
11	EHWL08-6	Drive Pin	1	23	13104	Hex Socket Flat Head Bolt (M8*20)	4
12	EHWL08-XX-5	Left Side Drive Plate	1				

**Note: If replacement parts are needed, please order part number as Link Model – Part No.**

**Example: For Link EHWL8-34, if you need part No. 6 (Right Side Drive Plate) order part as: EHWL8-34-6.**

**If you need part No. 15 (Left Side Drive Plate) you would order part as: EHW82-34-4.**

## EJT5C Swivel Parts List



NO	Part No.	Description	QTY	NO	Part No.	Description	QTY
1	EAB-202TA	Female Coupler	1	7	11003	Hex Socket Cap Head Bolt (M6*16)	4
2	EAB-202TB	Male Coupler	1	8	QY2.3-2	Pin	1
3	41101	Hex Socket Flat Head Bolt (M4*12)	2	9	EJT6C-1A	Spring	1
4	EJT6-9	Cover	1	10	41100	Hex Socket Set Screw (M6*5)	1
5★	42960	O-Ring (17.8*2.4)	3	11	EJT6C-1A	Swivel Base	1
6	EJT5C-1A	Swivel Block	1	12★	24221	O-Ring (4.8*1.9)	2

★ Denotes items in and only available in swivel repair kit: **EJT5C-RP-A**.