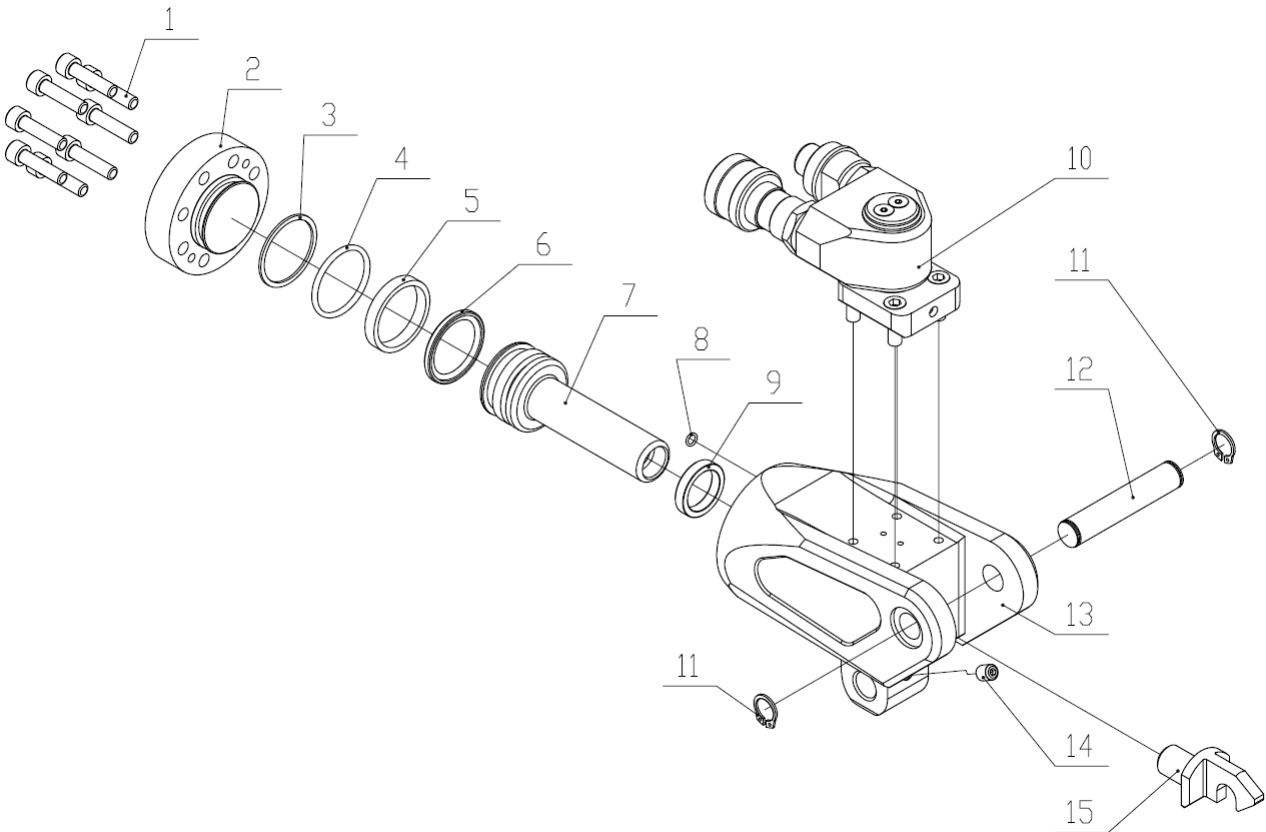




EAGLE PRO Torque Wrenches should only be repaired by a qualified operator or Authorized EAGLE PRO Service Center. Release pressure in hydraulic system and disconnect hose(s) before attempting any repair.

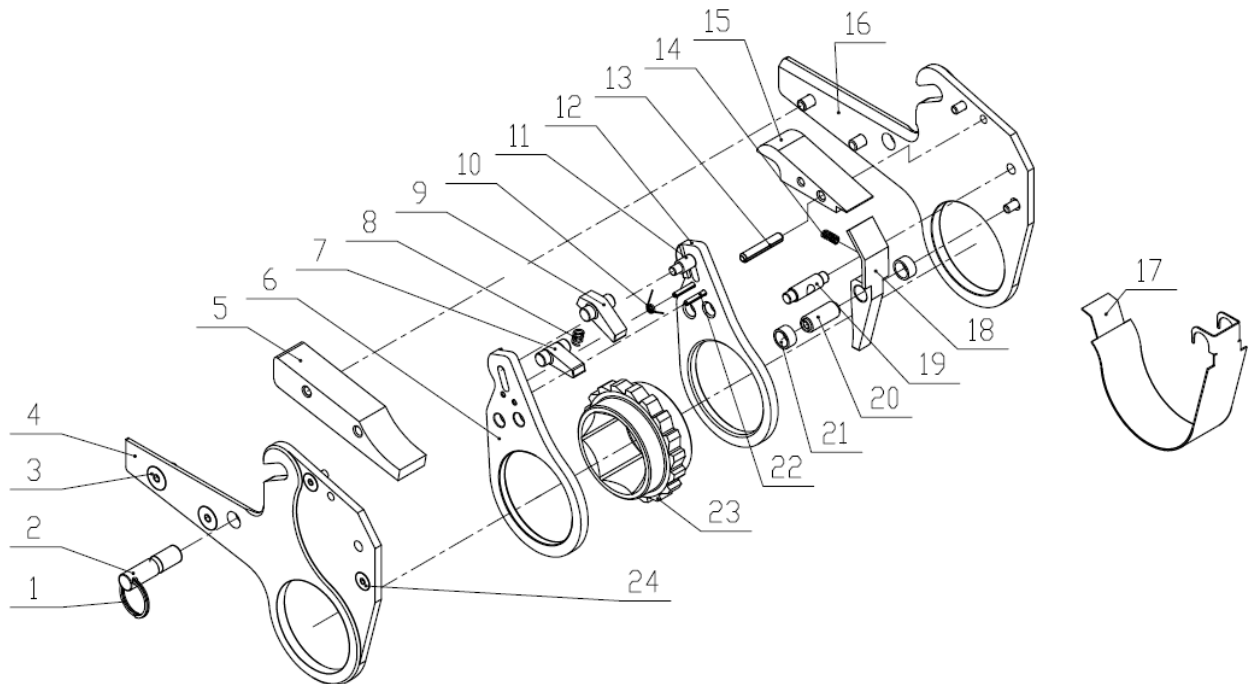
**EHW-4 Drive Body Parts List**



NO	Part No.	Description	QTY	NO	Part No.	Description	QTY
1	11005	Hex Socket Cap Bolt (M6*25)	8	9★	43675	U-cap (26*20*5)	1
2	EHW4-5	Cylinder End Cap	1	10	EJT5CA	Swivel Assembly Complete	1
3★	41842	Gasket (35*31*1.4)	1	11	13216	Snap Ring	2
4★	42991	O-Ring (29.82*2.62)	1	12	EHW4-2	Mounting Pin	1
5	42312	Anti-Wear Ring (35*30*5.6)	1	13	EHW4-1	Drive body	1
6★	41173	Gasket (35*27.5*3.2)	1	14	11032	Link Pin Retaining Screw (M6*8)	
7	EHW4-4	Piston	1	15	EHW4-3	Drive Hook	1
8★	24187	O-Ring (2.8*1.8)	1				

★Denotes items in and only available as part of the drive body repair kit: EHW4-RP-B.

## EHW-4 Link Parts List

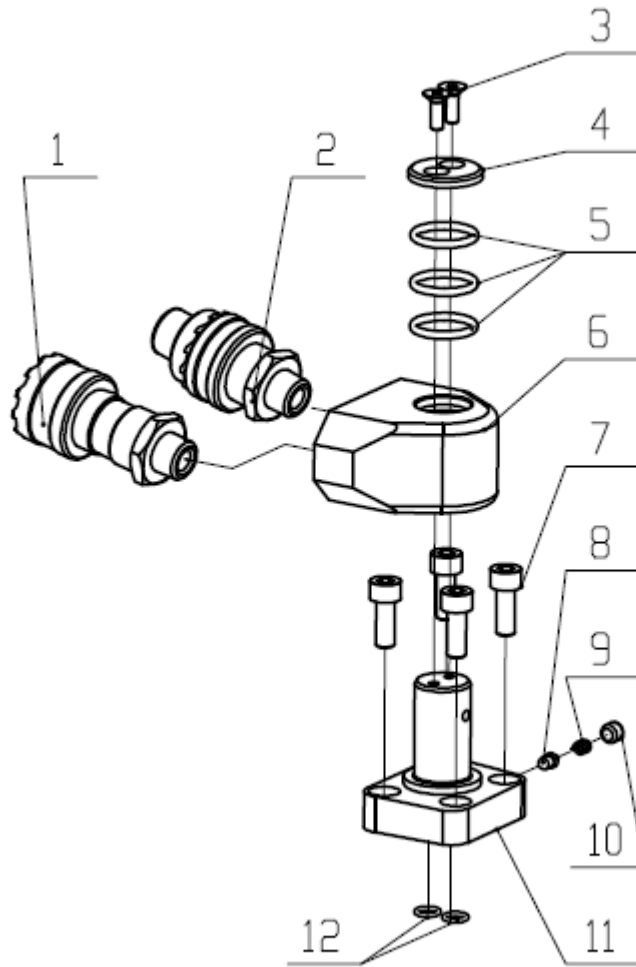


NO	Part NO	Description	QTY	NO	Part NO	Description	QTY
1	EK-30	Link Retaining Pin Ring	1	13	13366	Pin	1
2	EHWL4-10	Link Retaining Pin w/Ring	1	14	EHWL4-4	Reaction Pawl Spring	1
3	13104	Hex Socket Flat Head Bolt (M8*20)	4	15	EHWL4-7	Top Spacer	1
4	EHWL4-XX-3	Right Side Plate	1	16	EHWL4-XX-4	Left Side Plate	1
5	EHWL4-XX-8	Reaction Block Spacer	1	17	EHWL4-XX-7	Cover	1
6	EHWL4-XX-6	Right Side Drive Plate	1	18	EHWL4-XX-2	Reaction Pawl	1
7	EHWL4-1	Secondary Drive Pawl	1	19	EHWL4-9	Pin	1
8	EHWL4-3	Drive Pawl Spring	1	20	EHWL4-8	Reaction Pawl Pin	1
9	EHWL4-2	Primary Drive Pawl	1	21	EHWL4-11	Reaction Pawl Pin Bushing	2
10	EHWL4-5	Drive Pin Spring	1	22	13329	Pin	2
11	EHWL4-6	Drive Pin	1	23	EHWL4-XX-1	Drive Segment	1
12	EHWL4-XX-5	Left Side Drive Plate	1	24	41065	Hex Socket Cap Bolt	4

**Note: If you need replacement parts, please order part number as Link Model -Part No.**

**Example: For Link EHWL4-55, if you need part No.4 (Side Plate Right) order part as: EHWL4-55-3. If you need part No.12 (Drive Plate Left) you would order part as: EHWL4-55-5.**

# EJT5CA Parts List



NO	Part No.	Description	QTY	NO	Part No.	Description	QTY
1	EAB-202TA	Female Coupler	1	7	12015	Hex Socket Cap Head Bolt (M5*12)	4
2	EAB-202TB	Male Coupler	1	8	QY2.3-2	Pin	1
3	41101	Hex Socket Flat Head Bolt (M4*12)	2	9	EJT6C-10A	Spring	1
4	EJT6-9	Cover	1	10	41100	Hex Socket Set Bolt (M6*5)	1
★5	42960	O-Ring (17.8*2.4)	3	11	EJT6CA-1A	Swivel Base	1
6	EJT5C-1A	Swivel Block	1	★12	24221	O-Ring (4.8*1.9)	2

★ Denotes items in and only available in swivel repair kit: **EJT5CA-RP-A**