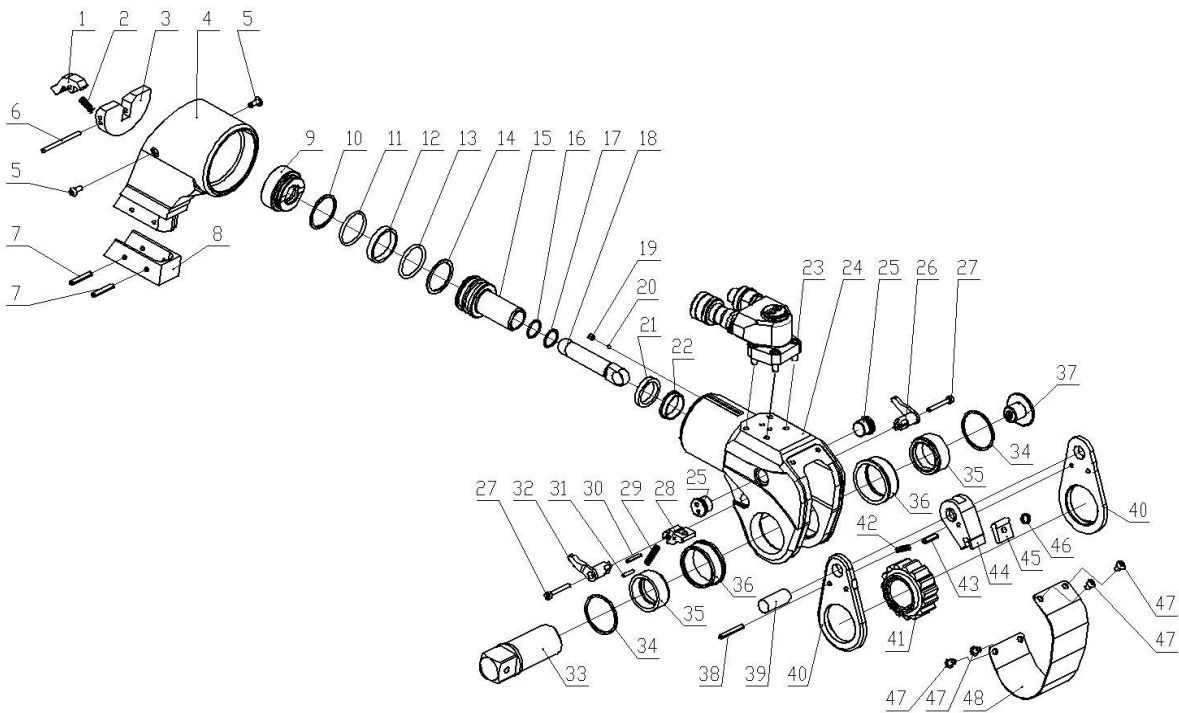




EAGLE PRO Hydraulic Torque Wrenches should only be repaired by a qualified operator or Authorized EAGLE PRO Service Center. Always release pressure in the hydraulic system and disconnect hose(s) before making repairs.

ESW -3 Part List

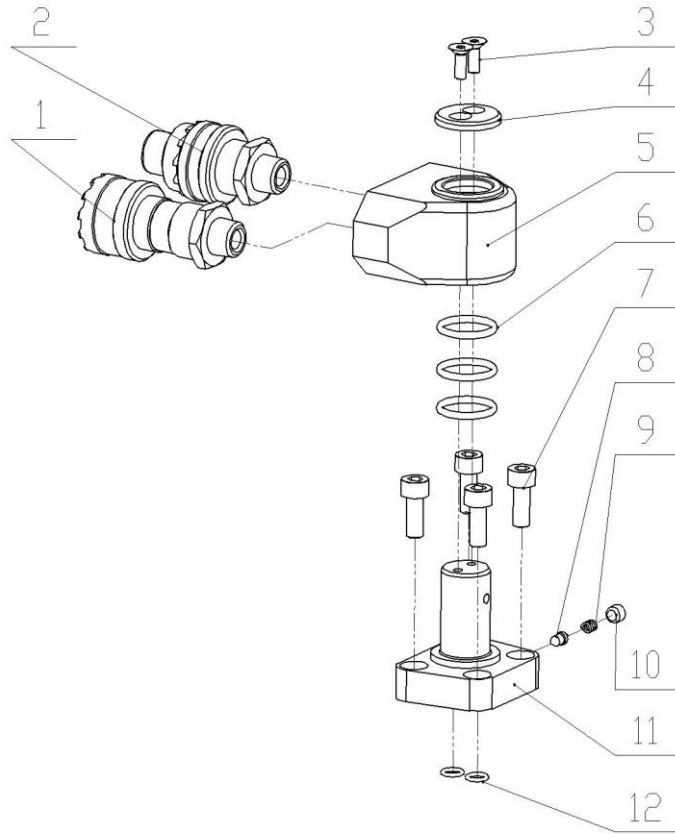


NO	Part No.	Description	QTY	NO	Part No.	Description	QTY
1	ESW3-3	Reaction Arm Release Lever	1	25	ESW3-14	Bolt	2
2	ESW3-2	Spring	1	26	ESW3-18B	Release Lever	1
3	ESW3-5	Arm Retaining Plate	1	27	12007	Bolt (M4*30)	2
4	ESW3-4	Reaction Arm	1	28	ESW3-23	Segment slider	1
5	13074	Bolt (M5*12)	2	29	ESW3-24B	Spring	1
6	41158	Pin (4*55)	1	30	13331	Pin (3*30)	1
7	13347	Pin (4*30)	2	31	13322	Pin (3*12)	1
8	ESW3-1	Reaction Arm Boot	1	32	ESW3-19B	Release Lever	1
9	ESW3-6	Cylinder Base	1	33	ESW3-20	Drive Shaft	1
10★	41833	Gasket (38*33.5*1.4)	1	34	EEH-40	Snap-ring	2
11★	24280	O-ring (32.99*2.62)	1	35	ESW3-21	Drive Bushing	2
12	42308	Anti-wear Ring (38*33*6)	1	36	ESW3-22	Steel Bushing	2
13★	24281	O-ring (31.7*3.5)	1	37	JS3-00	Drive Release	1
14★	41834	Gasket (38*32*1.6)	1	38	13349	Pin (4*34)	1
15◆	ESW3-10	Piston Assembly	1	39	ESW3-16	Drive Pin	1
16◆			1	40	ESW3-15	Drive Plate	2
17◆			1	41	ESW3-17	Ratchet	1
18◆			1	42	ESW3-27B	Spring	2
19	14034	Bolt (M5*5)	1	43	13342	Pin (4*20)	1
20	41003	Steel Ball	1	44	ESW3-28	Drive claw	1
21★	24352	U-ring (25*33*5)	1	45	ESW3-26	Drive Tip	1
22	ESW3-11	Copper Ring	1	46	ESW3-25B	Spring	1
23	EJT5	Swivel	1	47	13073	Bolt (M5*10)	4
24	ESW3-9	Housing	1	48	ESW3-13	Cover	1

Note: ★ Denotes items in and only available in the torque wrench repair kit: **ESW3-RP-B**

◆ Denotes items that must be replaced as an assembly.

EJT5 Part List



NO	Part No.	Description	QTY	NO	Part No.	Description	QTY
1	EAB-202TA	Female Coupler	1	7	11004	Bolt	4
2	EAB-202TB	Male Coupler	1	8	EJT6-11	Pin	1
3	11021	Bolt	2	9	EJT6-10	Spring	1
4	EJT6-9	Cover	1	10	11022	Bolt	1
5	EJT5-1	Swivel Block	3	11	EJT6-1	Swivel Base	1
▲6	42960	O-ring	1	▲12	24221	O-ring	2

Note: ▲ Denotes items in and only available in the swivel repair kit: **EJT5-RP-B**