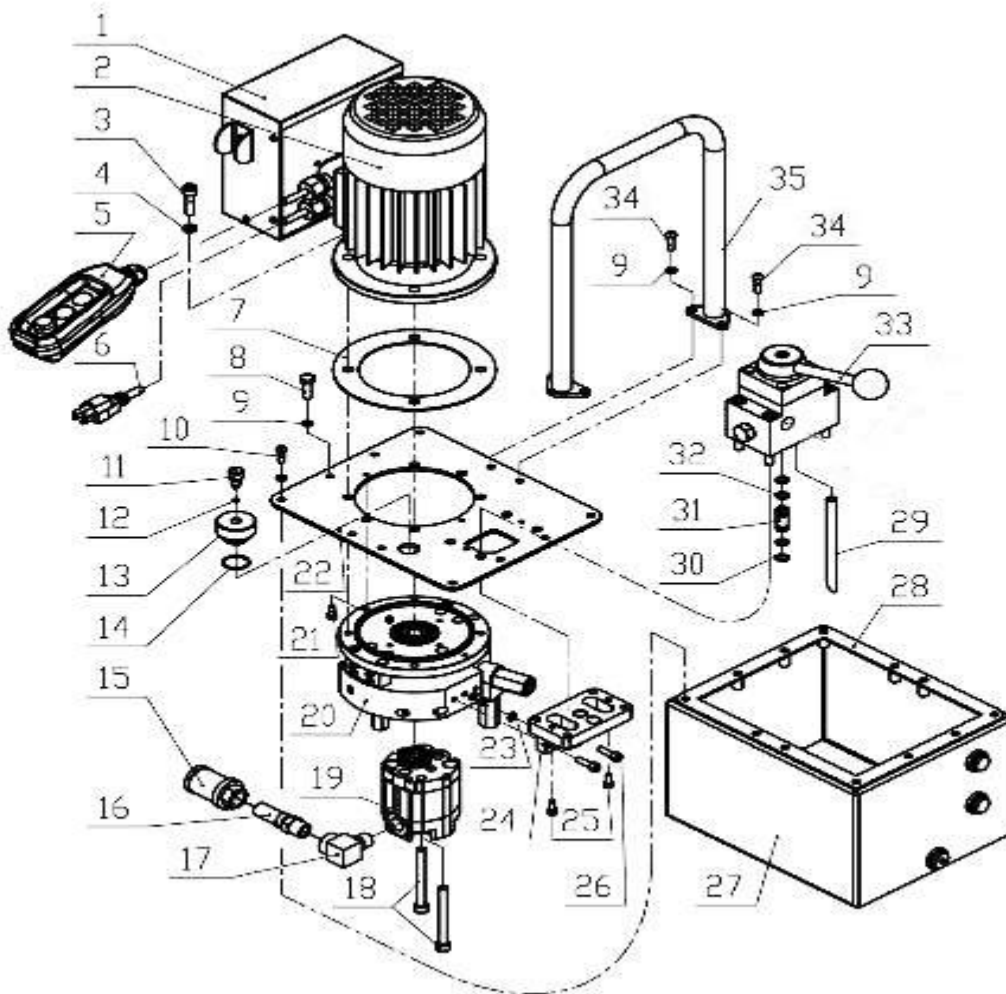




EAGLE PRO electric pumps should be repaired only by a qualified operator or Authorized EAGLE PRO Service Center. Use Only EAGLE PRO or other approved hydraulic oil. Always release pressure in hydraulic system and disconnect hose(s) before making any repairs.

**1. EPB-508A Parts List**

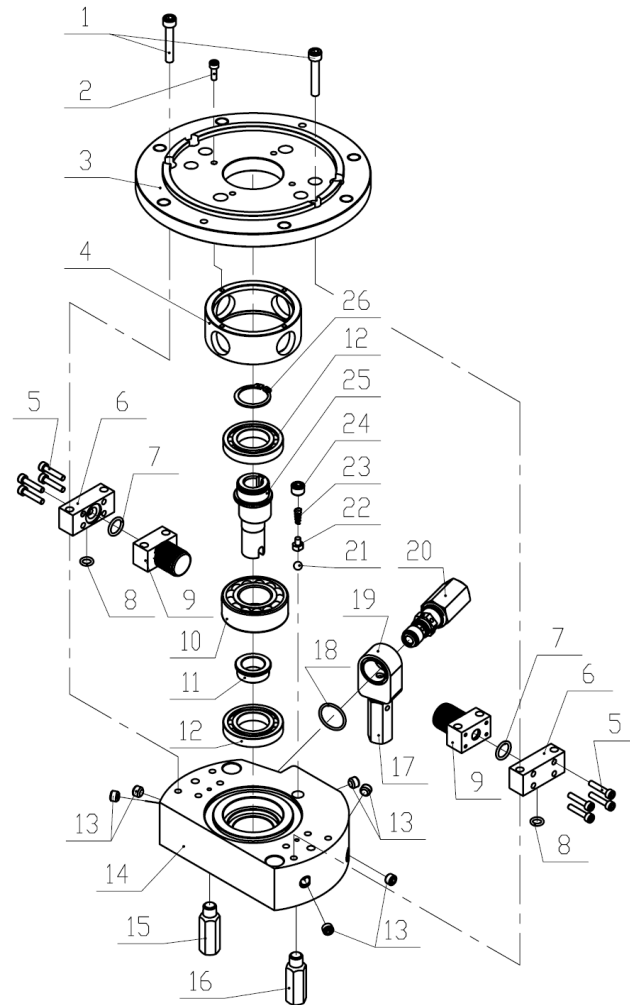


## EPB-508A Parts List

NO	Part No.	Description	QTY	NO	Part No.	Description	QTY
1	DQH02	Electric Control Box	1	19	EDYB2.7	Gear Motor	1
2	ML8022/B5	Motor 1.5Hp 115v 60Hz	1	20	EGYB08	Pump Head	1
3	13019	Bolt (M10*30)	4	21	12016	Bolt (M5*16)	2
4	13126	Washer (15.7*10.2*2.6)	4	22	EPB-8B5P8A-1	Top Plate	1
5	XKSB.2	Pendant Switch	1	23★	24220	O-ring	1
6	YY-3G/3C	Plug	1	24	EPB-8B5P8A.1	Block Kit	1
7★	EPB-10B-3	Motor Gasket	1	25	12015	Bolt (M5*12)	2
8	11033	Bolt (M6*16)	2	26	11004	Bolt (M6*20)	2
9★	QY2-13	Copper washer	12	27	ELYX0750A	Oil Reservoir	1
10	13082	Bolt (M6*16)	6	28★	EPB-8B5P8A-2	Reservoir gasket	1
11	EPA21621.3-1	Air Vent Screw	1	29	EPB-3B5P5A-3	Oil Return Tube	1
12★	24187	O-ring	1	30★	24164	O-ring	2
13	EPA21621.3-2	Oil Cap	1	31	EPB-3B5P5A-4	Fitting	1
14★	24227	O-ring	1	32	21073	O-ring	2
15	WU-10*80-J	Filter	1	33	EV-43M3A	Control Valve	1
16	EJB107	Fitting	1	34	13083	Bolt (M6*20)	4
17	EJF106	Fitting	1	35	ETS02	Handle	1
18	13013	Bolt (M8*80)	2	36★	03.03.0049	Eagle Pro Label	2

**Note:** ★ Denotes items in and only available in pump repair kit: **EPB505-RP-A**

## 2. EGYB08 Pump Head

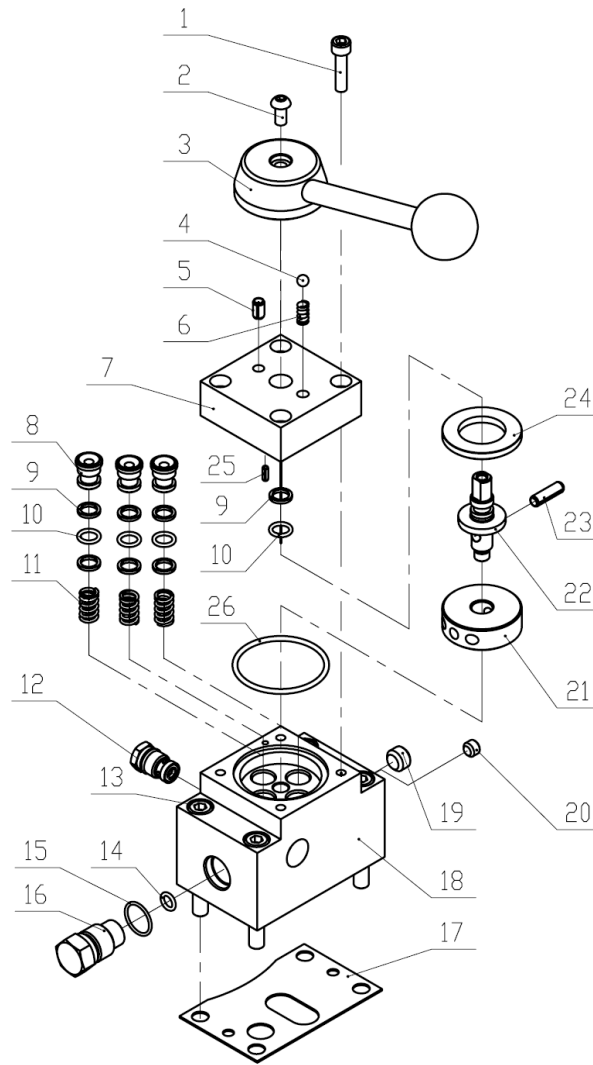


### EGYB08 Pump Head

NO	Part No.	Description	QTY	NO	Part No.	Description	QTY
1	11007	Bolt (M6*35)	8	14	EGYB03-3	Block	1
2	12004	Bolt (M4*12)	4	15	EF3.1A	Low Pressure Safety Valve	1
3	EGYB08-2	Connector Block	1	16	EV35	High Pressure Safety Valve	1
4	EBT03L-4	Bushing	1	17	EV36	Low Pressure Release Valve	1
5	12006	Bolt (M4*20)	8	18◆	42996	O-ring	1
6	TWP-2AF.2.1-1	Connector Block	2	19	TWP-2AF.2-6	Connector Block	1
7◆	42995	O-ring	2	20	TWP02XH-00	Low Pressure Release Valve	1
8◆	24001	O-ring	2	21	41008	Steel Ball	1
9	MPE6	Piston Pump	2	22	EJZ001-3	Ball Seat	1
10	4205	Grooved Ball Bearing	1	23	EGYB03-4	Spring	1
11	EPB-3B1P2B.2-6	Bushing	1	24	11025	Threaded Cap	1
12	16005-2Z	Grooved Ball Bearing	2	25	EGYB08-1	Eccentric Shaft	1
13	13114	Threaded Cap	10	26	13229	Snap Ring	1

**Note:** ◆ Denotes items in and only available in pump repair kit: **EGYB08-RP-A**

### 3. EV-43M3A Control Valve



#### EV-43M3A Control Valve

NO	Part No.	Description	QTY	NO	Part No.	Description	QTY
1	11005	Bolt (M6*25)	4	14▲	24220	O-ring	1
2	13081	Bolt (M6*12)	1	15▲	42972	O-ring	1
3	EVM4.1-01	Handle Assembly	1	16	EV43M4E-6	End Cap	1
4	41007	Steel Ball	1	17▲	EV43M4E-1	Gasket	1
5	13354	Pin	1	18	EV43M3A-1	Valve Block	1
6	EVM4-06	Spring	1	19	11034	Threaded Cap	1
7	EV43M4E-4	Valve Cover	1	20	13114	Block	1
8	EVM4-02	Pin	3	21	EVM4.02	Transfer Valve	1
9▲	21071	Gasket	7	22	EVM4-04	Pin	1
10▲	24164	O-ring	4	23	13359	Pin	1
11	EVM4-05	Spring	3	24	889105	Shaft Assembly	1
12	DX01-00	Check Valve	1	25	13320	Pin	1
13	13010	Bolt (M8*60)	4	26▲	24047	O-ring	1

**Note:** ▲Denotes items in and only available in pump repair kit: **EV43M3A-RP-A**