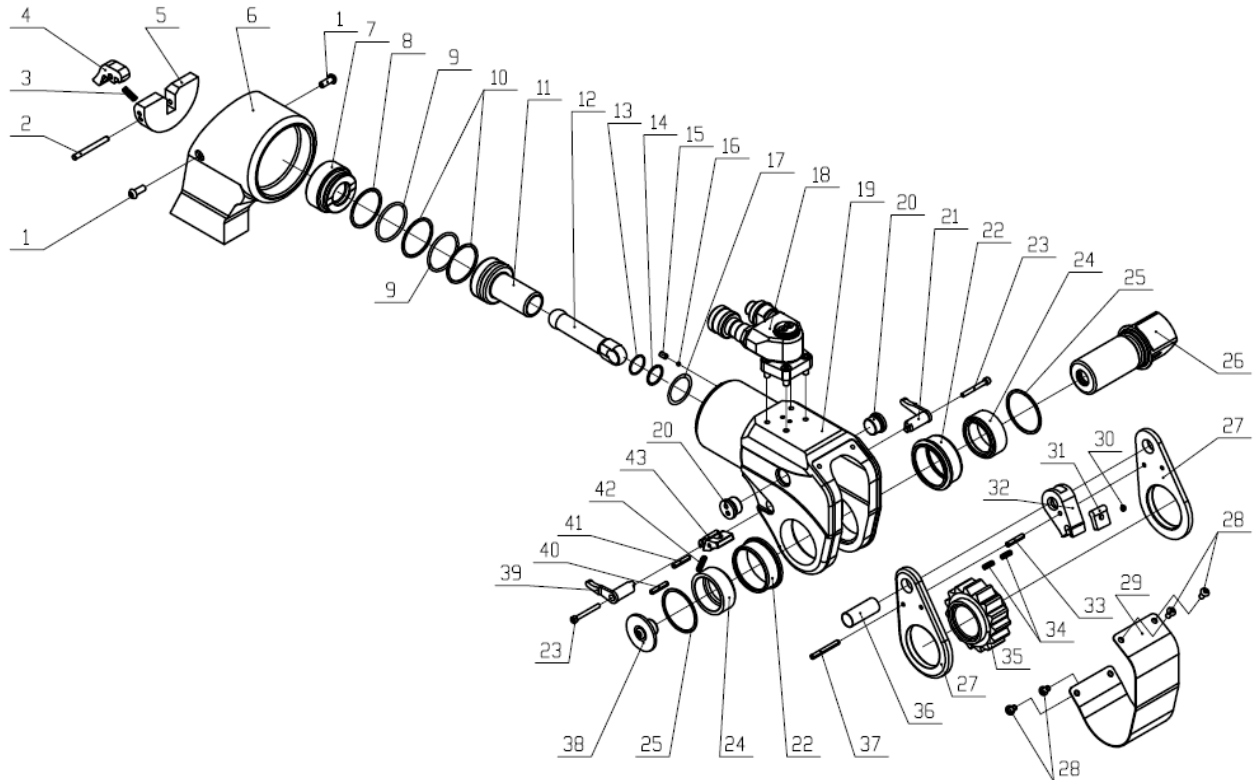




EAGLE PRO Torque Wrench should be repaired only by a qualified operator or Authorized EAGLE PRO Service Centers. Release pressure in hydraulic system and disconnect hose(s) before making repair.

**ESW -1 Part List**

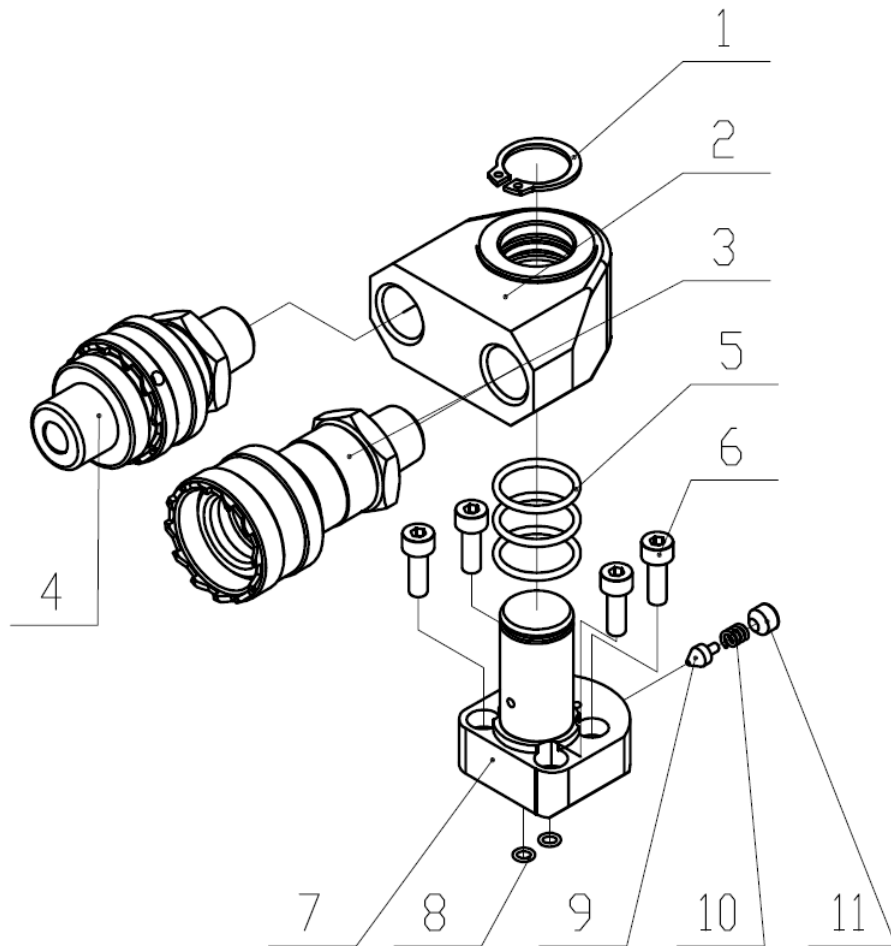


NO	Part No.	Description	QTY	NO	Part No.	Description	QTY
1	41072	Bolt (M4*12)	2	23	11027	Bolt (M3*20)	2
2	41174	Pin (3*40)	1	24	ESW1-20	Drive Bushing	2
3	ESW1-2W	Spring	1	25	EEH-30	Snap-ring	2
4	ESW1-3W	Reaction Arm Release Lever	1	26	ESW1-19W	Drive Shaft	1
5	ESW1-5W	Arm Retain Base	1	27	ESW1-14W	Drive Plate	2
6	ESW1-4W	Reaction Arm	1	28	41071	Bolt (M4*6)	4
7	ESW1-6W	Cylinder Base	1	29	ESW1-12W	Cover	1
8★	41844	Gasket (28*24*1.6)	1	30	ESW3-25W	Spring	2
9★	42983	O-ring (23.47*2.62)	1	31	ESW1-26W	Little Pawl	1
10★	41860	Gasket (28*23.5*1.4)	2	32	ESW1-25W	Pawl	1
11◆	ESW1-10W	Piston	1	33	13323	Pin (3*14)	1
12◆	ESW1-11W	Shaft	1	34	ESW1-24W	Sping	2
13◆	ESW1-8W	Snap Ring	1	35	ESW1-16W	Ratchet	1
14◆	ESW1-7W	Snap-ring	1	36	ESW1-15W	Drive Pin	1
15	41078	Bolt (M3*6)	1	37	13328	Pin (3*24)	1
16	41020	Steel Ball	1	38	JS1	Drive Release	1
17★	43002	O-ring (18.72*2.62)	1	39	ESW1-18W	Release Lever	1
18	EJT4A	Optional Swivel	1	40	41175	Pin (2.5*14)	1
19	ESW1-9W	Housing	1	41	41165	Pin (2*14)	1
20	ESW1-13W	Bolt	2	42	ESW1-22W	Sping	1
21	ESW1-17W	Release Lever	1	43	ESW1-23W	Segment slider	1
22	ESW1-21W	Copper Ring	2				

**Note:**

1. Item number included ★ is a part of the Repair Kit. Repair Kit order number: **ESW1-RP-W**
2. Item number included ◆ is indivisible. It must be replaced together.

# EJT4A Part List



NO	Part No.	Description	QTY	NO	Part No.	Description	QTY
1	13220	Snap Ring	1	7	EJT4-1	Swivel Base	1
2	EJT4A-2	Swivel Block	1	8▲	42990	O-ring	2
3	EAB-202TA	Female Coupler	1	9	EJT6-11	Pin	1
4	EAB-202TB	Male Coupler	1	10	EJT6-10	Spring	1
5▲	42985	O-ring	3	11	11022	Bolt	1
6	11029	Bolt	4				

**Note:**

1. Item number included ▲ is a part of repair kit for swivel. Repair Kit order number: **EJT4-RP-B**.