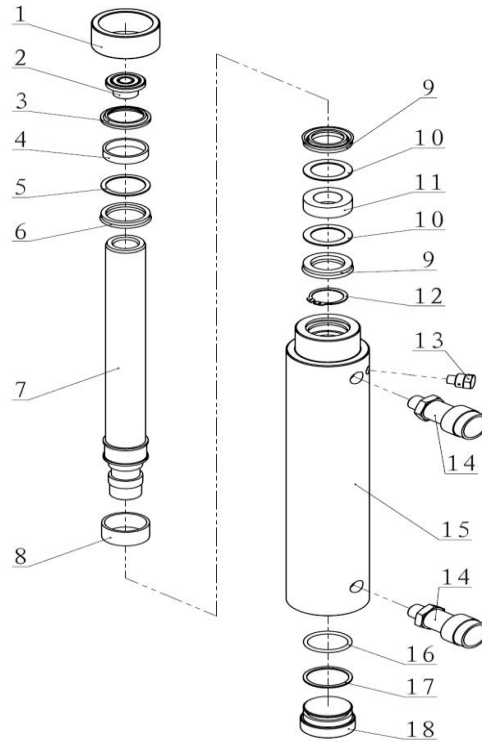




EAGLE PRO Cylinders should be repaired only by a qualified operator or Authorized EAGLE PRO Service Centers. Use Only EAGLE PRO or other approved hydraulic oil. Release pressure in hydraulic system and disconnect hose(s) before making repair.

**Parts List**



Item No.	Part Number	Description	Quantity	Item No.	Part Number	Description	Quantity
1	ES101-9	Thread Cover	1	10★	ES106-2	Gasket	2
2	A-102G	Saddle	1	11	ED1010-6	Piston Ring	1
3★	JB-D35	Wiper Ring	1	12	13152	Snap Ring	1
4	ED1010-4	Anti-wear Ring A	1	13	EF3. 1	Safety Valve	1
5★	ED1010-3	Gasket A	1	14	EAB201A	Coupler	2
6★	24342	Y-ring	1	15	ED1010-1	Cylinder Body ED-1010 Only	1
7	ED1010-2	Piston ED-1010 Only	1		ED1012-1	Cylinder Body ED-1012 Only	1
	ED1012-2	Piston ED-1012 Only	1	16★	ED1010-7	O-ring	1
8	ED1010-5	Anti-wear Ring B	1	17★	ED1010-8	Gasket B	1
9★	24302	Y-ring	2	18	ED1010-9	Cylinder Base	1

★ Items included in Repair Kit, Repair Kit order number: **ED1010-RP**