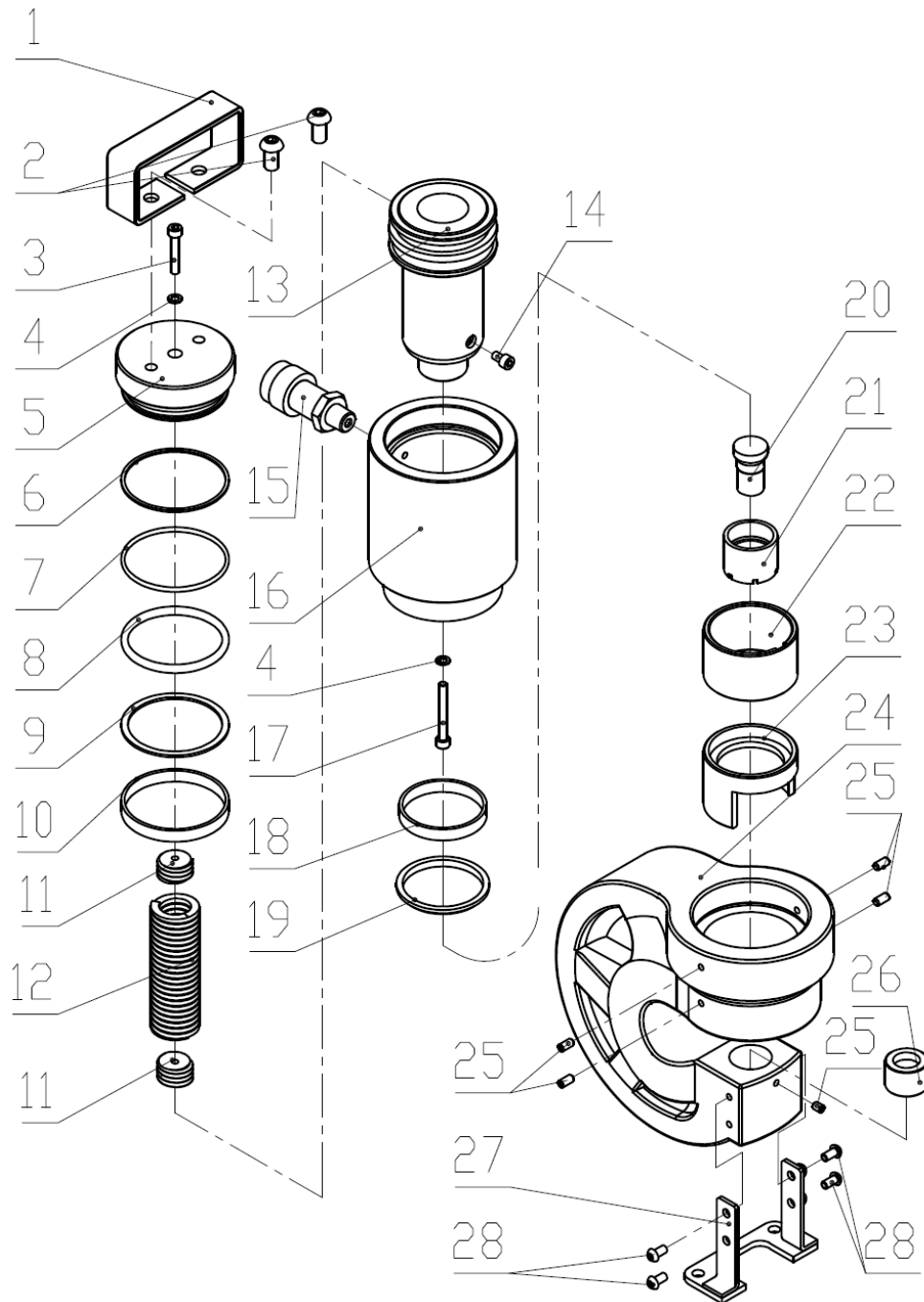




EAGLE PRO hydraulic punches should be repaired only by a qualified operator or Authorized EAGLE PRO Service Center. Use only EAGLE PRO or other approved hydraulic oil. Always release pressure in hydraulic system and disconnect hose(s) before making any repairs.

EHP-35 Parts List



EHP-35 Parts List

| NO | Part No. | Description | QTY | NO | Part No. | Description | QTY |
|----|-----------|-------------------------------|-----|-----|-----------|-------------------------------|-----|
| 1 | EHP35.1-4 | Handle | 1 | 15 | EAB-201A | Female Coupler | 1 |
| 2 | 13081 | Socket Cap Bolt (M6 x 12) | 2 | 16 | EHP35.1-2 | Cylinder Body | 1 |
| 3 | 11009 | Socket Cap Bolt (M6 x 45) | 1 | 17 | 11012 | Socket Cap Bolt (M6 x 60) | 1 |
| 4 | QY2-13 | Copper Washer | 2 | 18 | 21463 | Anti-wear Ring (65 x 60 x 10) | 1 |
| 5 | EHP35.1-3 | Cylinder Top | 1 | 19 | 21740 | Wiper Ring (60 x 69 x 3/6) | 1 |
| 6★ | 41849 | Gasket (80 x 75 x 1.6) | 1 | 20▲ | ▲ | Male Punch | 1 |
| 7★ | 24080 | O-ring (74.4 x 3.1) | 1 | 21 | EHP35-3 | Punch Retainer | 1 |
| 8★ | 24073 | O-ring (69.6 x 5.7) | 1 | 22 | EHP35-2 | Guide Ring | 1 |
| 9 | 21367 | Gasket (80 x 70 x 1.9) | 1 | 23 | EHP35-4 | Bushing | 1 |
| 10 | 21472 | Anti-wear Ring (80 x 75 x 10) | 1 | 24 | EHP35-1 | Punch Body | 1 |
| 11 | ES251-5A | Spring Seat | 2 | 25 | 14014 | Hex Head Bolt (M6 x 12) | 5 |
| 12 | 31056 | Spring | 1 | 26▲ | ▲ | Female Die | 1 |
| 13 | EHP35.1-1 | Piston | 1 | 27 | EHP35.2 | Base Plate | 1 |
| 14 | 11001 | Socket Cap Bolt (M6 x 10) | 1 | 28 | 13081 | Socket Cap Bolt (M6 x 12) | 4 |

Note: ★ Denotes items in and only available in pump repair kit: **EHP35-RP-A**

▲ Denotes items sold only in sets. See Eagle Pro Catalog for complete punch/die list