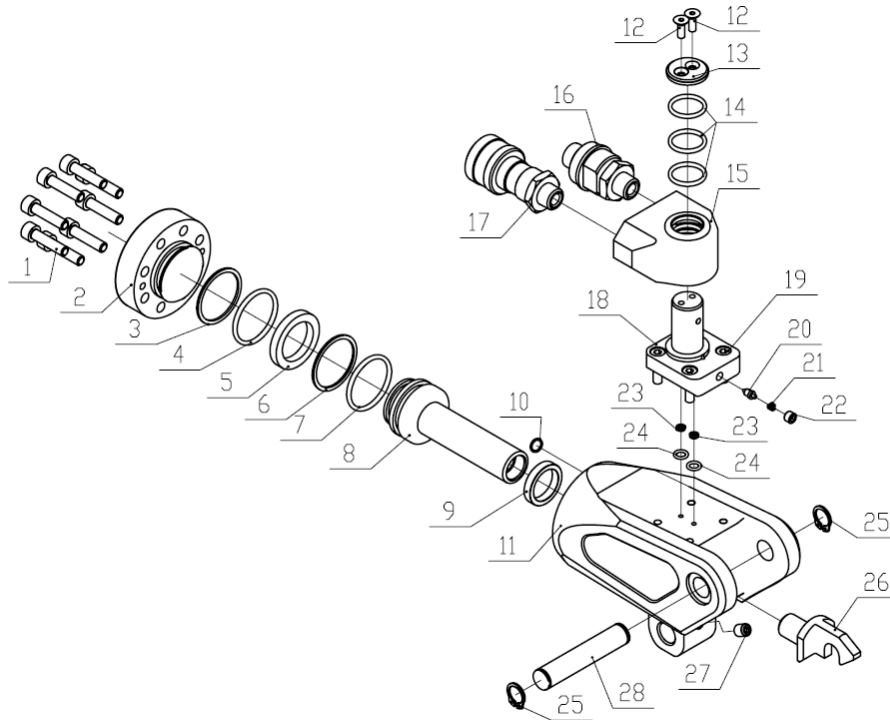




EAGLE PRO Torque Wrenches should only be repaired by a qualified operator or Authorized EAGLE PRO Service Center. Release pressure in hydraulic system and disconnect hose(s) before attempting any repair.

**EHW -8 Drive Body**

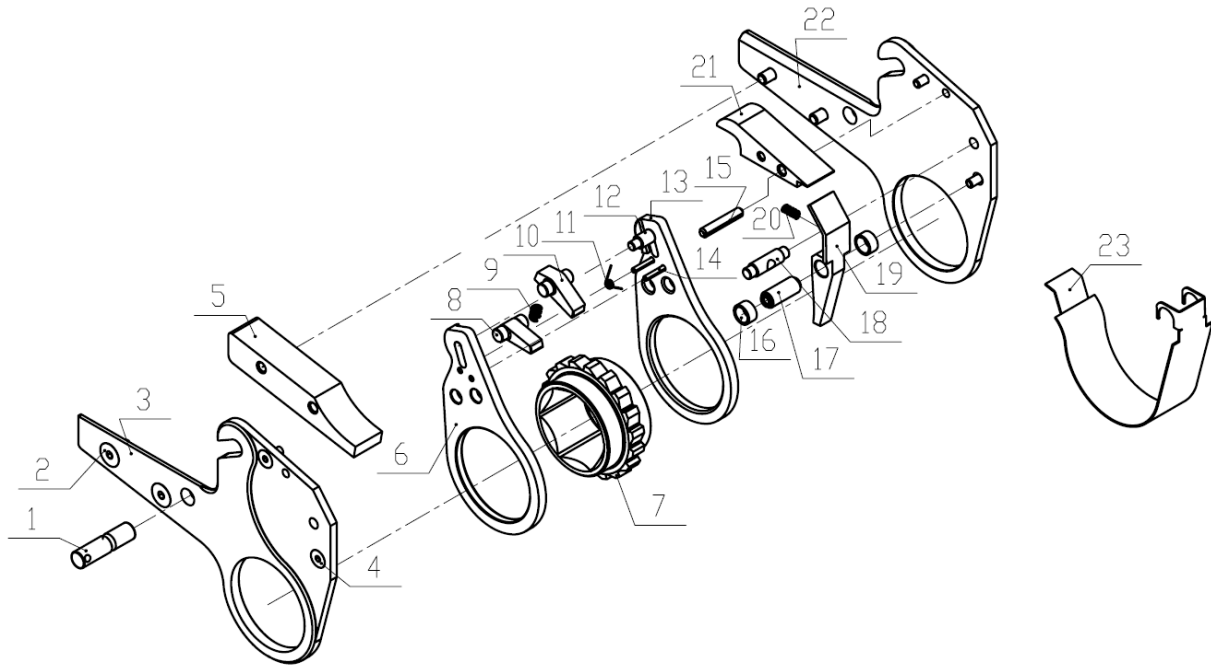


NO	Part No.	Description	QTY	NO	Part No.	Description	QTY
1	13004	Bolt	8	15	JT6-02	Swivel Block	1
2	EHW04-05	End Cap	1	16	EAB-204TB	Male Coupler	1
3★	41829	Gasket	1	17	EAB-204TA	Female Coupler	1
4★	42992	O-ring	1	18	JT6-01	Swivel Base	1
5★	24351	U-cap	1	19	11004	Bolt	4
6★	41829	Gasket	1	20	JT6-11	Pin	1
7★	42992	O-ring	1	21	JT6-10	Spring	1
8	EHW08-04	Piston	1	22	11022	Bolt	1
9★	43676	U-cap	1	23	JT6-12	Washer	2
10★	24187	O-ring	1	24★	24221	O-ring	2
11	EHW08-01	Driver Body	1	25	13220	Snap Ring	2
12	11031	Bolt	2	26	EHW08-03	Hook	1
13	JT6-09	Washer	1	27	11032	Bolt	1
14▲	42960	O-ring	3	28	EHW08-02	Pin	1

**Note: 1.★Denotes items in and only available as part of the torque wrench repair kit: EHW8-RP-A.**

**2.▲Denotes items in and only available as part of the swivel repair kit: EJT6-RP-A.**

# EHW -8 Link



Part NO	Description	QTY	Part NO	Description	QTY
1	Pin	1	13	Drive Plate Left	1
2	Bolt	4	14	Pin	2
3	Side Plate Right	1	15	Pin	1
4	Bolt	4	16	Axle Sleeve	2
5	Rear Spacer	1	17	Axle	1
6	Drive Plate Right	1	18	Pin	1
7	Drive Segment	1	19	Stop Claw	1
8	Short Claw	1	20	Spring	1
9	Spring	1	21	Top Spacer	1
10	Long Claw	1	22	Side Plate Left	1
11	Spring	1	23	Cover	1
12	Pin	1			

**Note: If you need replacement parts, please order part number as Link Model -Part No.**

**Example: For Link EHWL8-2, if you need part No.1 (Pin) order part as: EHWL8-2-1. If you need part No.11 (Spring) you would order part as: EHWL8-2-11.**