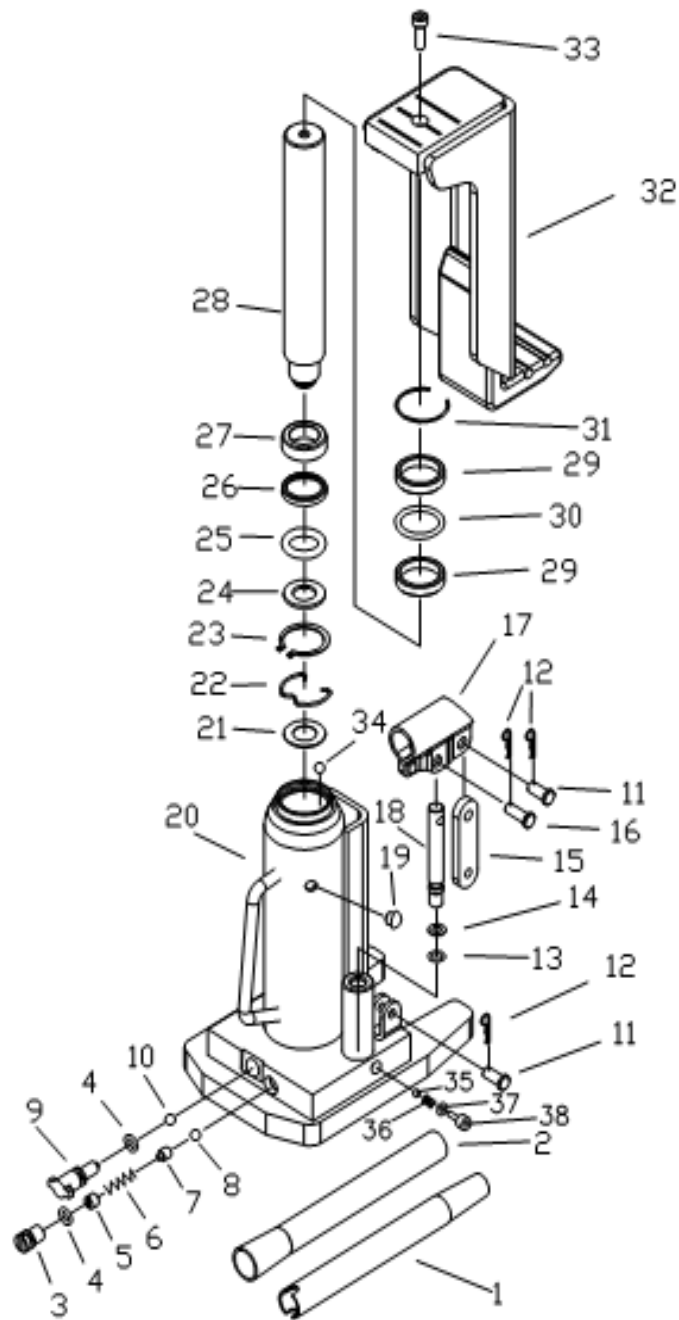




EAGLE PRO Jacks should be repaired only by a qualified operator or Authorized EAGLE PRO Service Centers. Use Only EAGLE PRO or other approved hydraulic oil. Release pressure in hydraulic system and disconnect hose(s) before making repair.

**Parts List**



Item No.	Part Number	Description	Quantity	Item No.	Part Number	Description	Quantity
1	ETJ102-1	Rear Handle	1	20	ETJ102-20	Oil Tank Assy.	1
2	ETJ102-2	Front Handle	1	21	ETJ102-21	Washer	1
3	ETJ102-3	Sealing Bolt	1	22	ETJ102-22	Snap Ring	1
4★	ETJ102-4	O-ring	2	23	ETJ102-23	Snap Ring	1
5	ETJ102-5	Adjusting Screw	1	24	ETJ102-24	Washer	1
6	ETJ102-6	Safety Valve Spring	1	25★	ETJ102-25	O-ring	1
7	ETJ102-7	Ball Seat	1	26	ETJ102-26	Sealing Washer	1
8	ETJ102-8	Steel Ball	1	27	ETJ102-27	Piston Ring	1
9	ETJ102-9	Release Rod	1	28	ETJ102-28	Ram	1
10	ETJ102-10	Steel Ball	1	29	ETJ102-29	Bushing	2
11	ETJ102-11	Pin	2	30★	ETJ102-30	O-ring	1
12	ETJ102-12	Pin	3	31	ETJ102-31	Snap Ring	1
13★	ETJ102-13	O-ring	1	32	ETJ102-32	Toe	1
14	ETJ102-14	Nylon Gasket	1	33	ETJ102-33	Screw	1
15	ETJ102-15	Rod Joint	1	34	ETJ102-34	Steel Ball	1
16	ETJ102-16	Pin	1	35	ETJ102-35	Steel Ball	1
17	ETJ102-17	Handle Socket	1	36	ETJ102-36	Spring	1
18	ETJ102-18	Pump Plunger	1	37	ETJ102-37	Washer	1
19	ETJ102-19	Oil Filler Plug	1	38	ETJ102-38	Screw	1

★ Items included in Repair Kit, Repair Kit order number: **ETJ102-RP-0**